

Two-wire IP Outdoor Station



System Overview

The DHI-VTO2000A-2-S enables tenants to view and talk with visitors and remotely unlock doors all from an intuitive mobile app and an interior color indoor monitor. Each IP outdoor station includes a 1.3 MP wide angle camera with manual rear pivot, two-way talk and enables remote functions such as snapshot when ringing and the ability to record video and audio messages to a VTH series monitor.

Technical Specification

System

Main Processor	Embedded Micro Processor
Operating System	Embedded Linux

Operation

Input	Single Mechanical Button
-------	--------------------------

Video

Video Compression	H.264
Image Sensor	1/3-in. 1.3 MP CMOS Sensor
Lens	2.8 mm
Angle of View	Horizontal: 90° Vertical: 120°
Day/Night	Color Image

- 1.3 MP Wide Angle Pivoting Camera with Night Vision
- Built-in Microphone with Two-way Talk
- Provides an Audible Alarm if Removed from the Wall
- Connect Outdoor Stations to an NVR for Recording Call Sessions from the Indoor Monitor and for 24-hour Local Recording
- Easily Leave Audio and Video Messages
- View and Talk with Visitors and Remotely Unlock Doors Using the iDMSS/gDMSS App
- Stainless Steel Panel can be Surface- or Flush-mounted
- IP54 Ingress Protection and IK07 Vandal Resistance



Audio

Compression	G.711
Input	Omnidirectional Microphone
Output	Built-in Speaker
Bi-directional Talk	Supports Dual-way Bi-directional Talk

Interface

Door Control	One (1) Relay Out for Main Lock
Alarm Input	Two (2) Channels: <ul style="list-style-type: none"> • One (1) Channel, Unlock Button • One (1) Channel, Feedback
RS485	One (1) Port
Tamper Switch	One (1)

Network

Ethernet	10/100 Mbps, Self-adaptive
Network Protocol	TCP/IP
Cybersecurity	Video Encryption, Firmware Encryption, Configuration Encryption, Digest, WSSE, Account Lockout, Security Logs, IP/MAC Filtering, Generating and Importing X.509 Certification, Syslog, HTTPS, 802.1x, Trusted Boot, Trusted Execution, Trusted Upgrade

Certifications

Electromagnetic Compatibility (EMC)	FCC CFR 47 Part 15 subpart B ANSI C63.4 - 2009 EN 55022:2010, EN 55024:2010, EN 50130-4:2011, EN 61000-6-3:2007, EN 61000-3-2:2006+A1:2009 EN 61000-3-3:2008, IEC 61000-4-2:2008, IEC 61000-4-3:2010, IEC 61000-4-4:2012, IEC 61000-4-5:2005, IEC 61000-4-6:2008, IEC 61000-4-8:2009, IEC 61000-4-11:2004
-------------------------------------	--------------------------------------------------------------------------------------------------------------------------------------------------------------------------------------------------------------------------------------------------------------------------------------------------------------------------------

Electrical

Power	24 VDC Power supplied via DHI-VTNC3000A.
Power Consumption	Standby: ≤ 1 W Operation: ≤ 10 W

Environmental

Operating Temperature	-40° C to +60° C (-40° F to +140° F)
Operating Humidity	10% to 90%, Relative
Ingress Protection	IP54
Vandal Resistance	IK07

Construction

Material	Stainless Steel
Dimensions	129.90 mm x 32.17 mm x 140.0 mm (5.08 in. x 1.27 in. x 5.51 in.)
Net Weight	0.80 kg (1.76 lb)
Installation	Surface- or Flush-mount

Ordering Information

Type	Part Number	Description
Intercom	DHI-VTO2000A-2-S	Two-Wire IP Outdoor Station
Accessories, optional	DHI-VTH1550CHW-2-S	Two-wire Color Indoor Monitor
	DHI-VTNC3000A	Two-wire Network Controller, Power Supply and Signal
	ADS-110DL-19-1 240072E	24 VDC, 3 A Power Adapter for use with DHI-VTNC3000A
	VTOB107	Flush-mount Box, plastic
	VTOB108	Surface-mount Box, metal
	iDMSS/gDMSS App	Available from the Apple App Store or the Google Play Store

Accessories



DHI-VTH1550CHW-2-S
Color Indoor Monitor



DHI-VTNC3000A
Two-wire Network Controller



ADS-110DL-19-1 240072E
24 VDC, 3 A Power Adapter
for use with DHI-VTNC3000A



VTOB107
Flush-mount Box

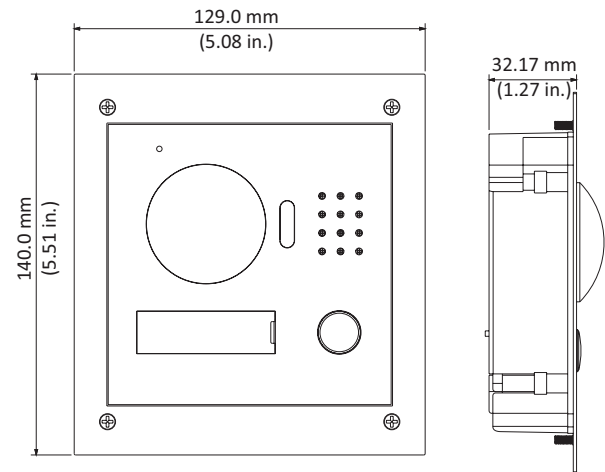


VTOB108
Surface-mount Box



iDMSS/gDMSS
Mobile Application

Dimensions (mm/in.)



View Area

