

HD-SDI 1080p(2MP) IR Bullet Camera w/ 12 COB IR / 6~50mm Lens / Dual Power



1/2.9" Sony CMOS • 6~50mm Auto-Iris Vari-Focal Lens • 12 COB IR LEDs • True Day & Night(ICR) • DNR (Digital Noise Reduction) • AWB (Auto White Balance) • SENS-UP

FEATURES

- 1/2.9" Sony CMOS
- 6 ~ 50mm Auto-Iris Vari-Focal Lens

HD-SDI 1080p(2MP) IR Bullet Camera w/ 12 COB IR / 6~50mm Lens / Dual Power

- 0 Lux at IR On (12 pcs of COB IR LED)
- Upgraded Waterproof Housing (IP68 Rating)
- Smart IR / DNR (Digital Noise Reduction) / True Day & Night (ICR)
- RS-485 Option
- Easy Installation
- DC 12V/AC 24V Dual Power

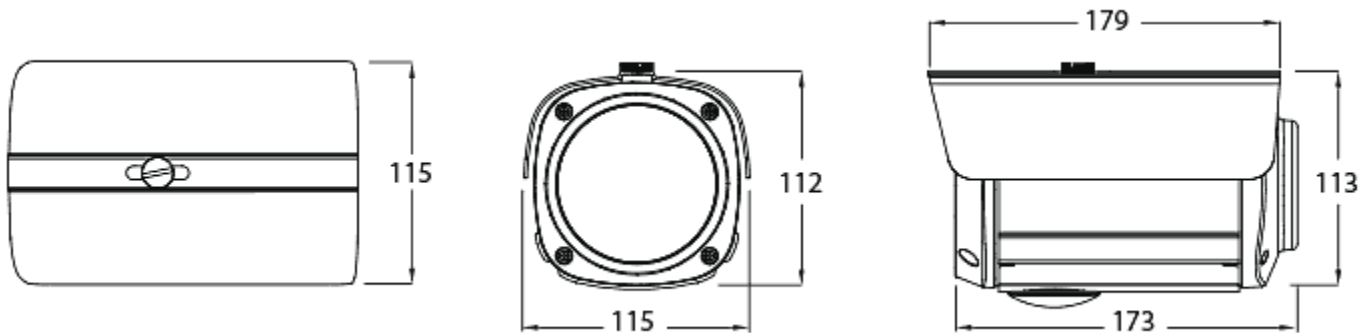
SPECIFICATIONS

Resolution	1080p, 720p, 720p CROP
Sensor	1/2.9 inch Sony CMOS
Total Pixels	2000(H) × 1241(V) = 2,482,000
Effective Pixels	1944(H) × 1092(V) = 2,122,648
Scanning System	Progressive
S/N (Y Signal)	More then 52 dB (AGC Off)
Video Output	SDI / CVBS: 1.0Vp-p (75ohm)
Min. Illumination	IR Product: 0 Lux at IR On General Product: 1 Lux at F1.2/0.1 Lux (B/W)
White Balance	Auto / Auto Ext / Preset / Manual
Shutter	Auto / Manual (1/30sec ~ 1/60,000sec)
Brightness	Adjustable (0 ~ 20 Step)
Sens Up	OFF / × 2 / × 3 / × 4 / × 5 / × 6 / × 7 / × 8
DNR	OFF / Low / Middle / High
Backlight	OFF / WDR / BLC / HLM
ACE	OFF / Low / Middle / High
Day & Night	Auto (Day <--> Night Time Change), Color, B/W, Extern, MDIR (Search Option)
Privacy	OFF / ON (16 Zone)
Motion	OFF / SET
Digital Zoom	0 ~ 127
Flip	OFF / ON
Freeze	OFF / ON

HD-SDI 1080p(2MP) IR Bullet Camera w/ 12 COB IR / 6~50mm Lens / Dual Power

Language	English, Chinese, Chinese(S), Japanese, Korean
Sharpness	Adjustable (0 ~ 10 Step)
Defog	OFF / SET
Communication Port	RS-485 (Pelco-D)
Smart IR	Adjustable (0 ~ 20 Step)
Operating Temp / Humidity	-10°C ~ +50°C(14°F ~ 122°F) / 30% ~ 80% RH
Storage Temp / Humidity	-20°C ~ +60°C(-4°F ~ 140°F) / 20% ~ 90% RH
Power	DC 12V/AC 24V Dual Power
Signal Transmission	The distant difference is occurred according to cable option and other circumstances. (Coaxial Cable 300M)

DIMENSIONS



unit : mm