



### Product at a Glance

- ▶ Starlight 2 MP, 5 MP and 8 MP models
- ▶ True WDR (120 dB)
- ▶ H.265/H.264 compression; M-JPEG compression
- ▶ 131 ft/40 m IR range; Smart IR/Adaptive IR
- ▶ Motorized zoom and focus varifocal lens
- ▶ Triple streaming
- ▶ Smart Encoding
- ▶ VCA; Museum Search
- ▶ Power-over-Ethernet (PoE); 12 VDC; 24 VAC
- ▶ SD card slot for on-camera storage
- ▶ Dual heaters for defog and low temperature operation
- ▶ IP67 rated for outdoor environments
- ▶ IK10 rated for impact protection
- ▶ NDAA/GSA/TAA compliant; ONVIF S/T/G/Q
- ▶ Surface mounting on wall or ceiling

### Overview

Vicon's Roughneck® Pro V2000D Series of HD IP Dome Cameras is designed for performance in the most demanding security installations. There are 2 MP, 5 MP and 8 MP models with a motorized varifocal autoiris lens; the 8 MP model has a P-Iris lens; all models offer Starlight low-light imaging.

The V2000D Series provides triple streaming video and supports H.264/H.265 compression technology, significantly reducing file sizes and conserving valuable network bandwidth. Smart encoding effectively enhances video encoding efficiency and further reduces transmission rate and improves storage capacity.

The dome camera is designed for easy installation. Power over Ethernet (IEEE 802.3af) eliminates the need for power cables, providing a cost-effective method of installation. The camera also accepts 12 VDC and 24 VAC. A dual heater system is provided that maintains proper temperature in the camera housing and prevents fogging of the lower dome. The dome camera can be mounted on a wall or ceiling. Refer to Ordering Information for details on accessories and other mounting options.

In order to adapt to constantly changing outdoor lighting conditions, the V2000D Series features an autoiris lens that maintains picture quality under changing lighting conditions. The true day/night progressive scan camera also includes a removable IR cut filter for superior image quality in all lighting conditions. True Wide Dynamic Range (120 dB) further improves video exposure quality in scenes with high contrast between bright and dark areas. Smart IR adjusts the intensity of the camera's infrared LEDs to compensate for the distance of an object and built-in Adaptive IR adjusts the IR output dynamically to prevent oversaturation in the scene as the light changes.

For protection against the elements, the camera dome is IP67 rated with a IK10 vandal-proof casing to withstand rain, dust, and vandalism. The camera meets the latest regulations required to be NDAA, GSA schedule and TAA approved and support ONVIF profiles S/T/G/Q.

The camera can be used with Vicon Valerus™ as well as many other popular VMS systems; each VMS may support different camera functions.





## Specifications

Model	V2002D-W313MIR	V2005D-W313MIR	V2008D-W310MIR
Image Sensor:	1/2.8-in.		1/1.8-in.
Max Resolution:	1920 x 1080 (1080p)	2592x1944 (5 MP)	3840x2160 (8 MP)
Image Settings:	Digital image effects: defog, flip, and mirror and corridor. Configurable brightness, contrast, saturation, hue, sharpness. White balance. Backlight Compensation (BLC). HLC. Gain control. Gamma correction. Electronic shutter speed. Day/night mode. Dynamic Noise Reduction (3 DNR). Motion detection (4 programmable zones). Privacy masking (8 masks). Dynamic ROI. Digital zoom. Event notification.		
Intelligent Video Analytics:	Motion, Tampering/Defocus, Intrusion, Loitering, Line Cross/Counting, Object Left/Removed, Area Counting, Wrong Direction. Museum Search.		
Electronic Shutter Speed:	Auto (1/2 ~ 1/10,000 sec), manual		
Day/Night Performance:	True day/night (IR cut filter)		
Wide Dynamic Range	True WDR; 120 dB		
Minimum Illumination (@ 30 IRE):	Color: 0.007 lux; BW: 0.002 lux, IR Off; 0 lux, IR On	Color: 0.03 lux; BW: 0.01 lux, IR Off; 0 lux, IR On	Color: 0.02 lux; BW: 0.01 lux, IR Off; 0 lux, IR On
IR Distance:	Smart IR/Adaptive IR. 131 ft (40 m); 22 IR LEDs		
Dual Heater System:	For low temperature operation: heater turns on at -40° F (-40° C) and off at 59° F (15° C). For defog operation: heater turns on at -40° F (-40° C) and off at 140° F (60° C)		
<b>Lenses</b>			
Focal Length:	3.1-10 mm; 3.2X optical zoom		3.6-10 mm; 2.8X optical zoom
Max. Aperture:	f/1.4 - f/2.8		f/1.5 - f/2.8
Iris:	DC autoiris		P-Iris (Manual/Auto)
Zoom/Focus Adjust:	Motorized zoom and focus		
Field of View: Horizontal/Vertical/Depth	34° (tele) - 110° (wide)/ 20° (tele) - 58° (wide)/ 40° (tele) - 134° (wide)	32° (tele) - 96° (wide)/ 24° (tele) - 69° (wide)/ 40° (tele) - 124° (wide)	46° (tele) - 98° (wide)/ 26° (tele) - 54° (wide)/ 54° (tele) - 113° (wide)
<b>Network Video Transmission</b>			
Network:	10/100Base-T/TX: RJ-45		
Image Compression:	H.264; H.265; M-JPEG		
Resolution:	2 MP: 1920x1080 (1080P), 1280x960/720, 800x600, 640x480, 640x360, 320x240 5 MP: 2592x1944/1520, 2560x1440, 2048x1536, 2304x1296, 1920x1080 (1080P), 1600x1200, 1440x1080, 1600x900, 1280x960/720, 800x600, 640x480/360, 320x240/180 8 MP: 3840x2160, 3264x1840, 2592x1944, 2688x1520, 2048x1536, 1920x1080 (1080P), 1280x960/720, 800x600, 640x480, 640x360, 320x240		
Protocol:	ARP, DHCP, DNS, FTP, HTTP, HTTPS, HLS, ICMP, IGMP, IPv4/6, LDAP, NTP, RTSP/RTCP/RTP, RTMP, QoS, SMTP, SNMP v1/2c/3, TCP, TLS/TLS, UDP, UPnP, 802.1X, UPnP, Bonjour, DDNS, PPPoE; ONVIF S/G/Q/T		
Frame Rate:	30/25 fps max		
Streams:	Triple streaming. 2 MP: Single: 2 MP@30fps; Dual: 2 MP@30fps + 1280x720@30fps; Triple: 2 MP@30fps + 1280x720@30fps + 640 x 360@30 fps 5 MP: Single: 5 MP@30fps; Dual: 5 MP@30fps + 1600x1200@30fps; Triple: 5 MP@30fps + 1600x1200@30fps + 640 x 480@30 fps 8 MP: Single: 8 MP@30fps; Dual: 8 MP@30fps + 640x480@30fps; Triple: 8 MP@30fps + 640x480@30fps + 320 x 240@30 fps		
Alarms:	1 alarm input/1 alarm output		
Audio:	1 audio input/1 audio output (line in/out); G.711 (a-law, μ-law); audio level alarm		
Users:	Live: 10 users		
Web Browser:	Internet Explorer 11®; Chrome®, Safari®, Firefox®, Microsoft® Edge		
Security:	IP address filtering, HTTPS encrypted data transmission, SSL, IEEE 802.1X, Digest Authentication, Advanced Security		

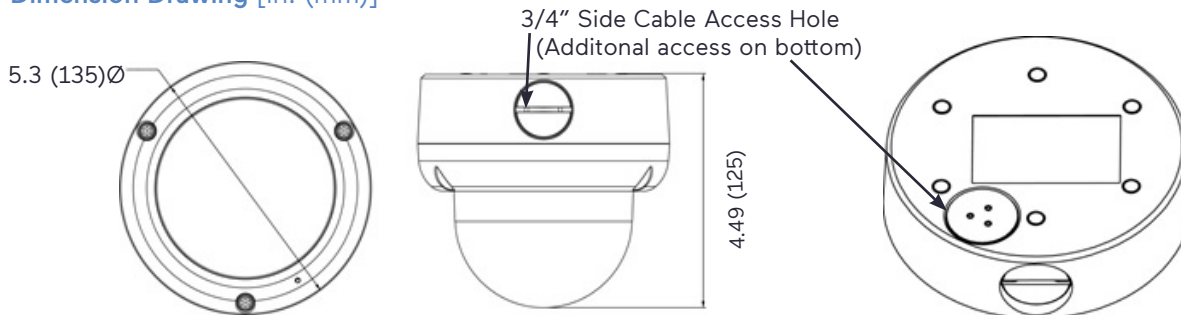
Specifications

Mechanical	
Construction:	Dome body: white aluminum. Dome bubble: polycarbonate.
Camera Angle of Adjustment:	3-axis adjustment. Pan: 370°; Tilt: 15° - 90°; Rotate: ±355°
Mounting:	Surface mount, wall or ceiling
Dimensions:	5.3 in. (135 mm) (Diam) x 4.49 in. (125 mm) (H)
Weight:	2.6 lb (1.2 kg)
Electrical	
Input Power:	PoE IEEE 802.3af class 3; 12 VDC (±10%); 24 VAC (+20%/-10%)
Current:	V2002D: 12 VDC: 0.96 A; 24 VAC: 0.48 A; PoE: 0.24 A; V2005D: 12 VDC: 1.2 A; 24 VAC: 0.6 A; PoE: 0.3 A; V2008D: 12 VDC: 1.1 A; 24 VAC: 0.55 A; PoE: 0.27A
Power Consumption :	IR/Heaters On: V2002D: 11.52 W; V2005D: 14.4 W; V2008D: 13.14 W IR Off/Heaters On: V2002D: 9.52 W; V2005D: 12.4 W; V2008D: 11.22 W
Controls and Connectors	
Connectors:	Two 3/4" conduit access holes provided, side and bottom for internal cable termination. Power: 12 VDC/24 VAC: terminal block; PoE/Network: RJ-45 CAT 5; Alarm: terminal block. Audio: terminal block. Reset button; Default button; Micro SD card slot for SDHC/SDXC card (128 G max; customer-supplied); Video Output; 2-pin terminal block for Monitor Out (5 MP/8 MP models only)
Environmental	
Operating Conditions:	Outdoor rated Temp: -40° to 140° F (-40° to 60° C) Humidity: up to 90%, non-condensing
Approvals:	UL, FCC Class A, CE, IP67, IK10; ONVIF Profile S/T/G/Q, RoHS
Country of Origin:	Taiwan
Warranty:	5 years

Ordering Information		
Resolution	Lens	Model Number
2 MP	3.1-10 mm motorized zoom and focus; autoiris	V2002D-W313MIR
5 MP	3.1-10 mm motorized zoom and focus; autoiris	V2005D-W313MIR
8 MP	3.6-10 mm motorized zoom and focus; autoiris	V2008D-W310MIR

Accessories		
Pendant Cap	Provides pendant mounting configuration for use with SVFT-WM-1/UWM-1/UCM-1/UPM-2, V-24CMB-4, V-20B-A-4	V2XXXD-PM 
Adapter Plate	Allows the V2000D to be mounted on a 4x4 electrical box	V2000D-PLATE 
In-Ceiling Mount	Allows the V2000D to be installed in a drop ceiling	V2000D-ICD 
In-Ceiling Mount	Allows the V2000D to be installed in a hard ceiling	V2000D-ICH 

Dimension Drawing [in. (mm)]



Data Sheet Number: V318-50-06  
Vicon Data Sheet Number: 8009-7318-50-06

Specifications subject to change without notice.  
Vicon, Roughneck and their logos are registered trademarks of Vicon Industries Inc.  
Copyright © 2022 Vicon Industries Inc. All rights reserved.

Explorer is a registered trademark of Microsoft Corporation.  
Chrome is a registered trademark of Google LLC.  
Firefox is a registered trademark of Mozilla Corp.  
Safari is a registered trademark of Apple Inc.

