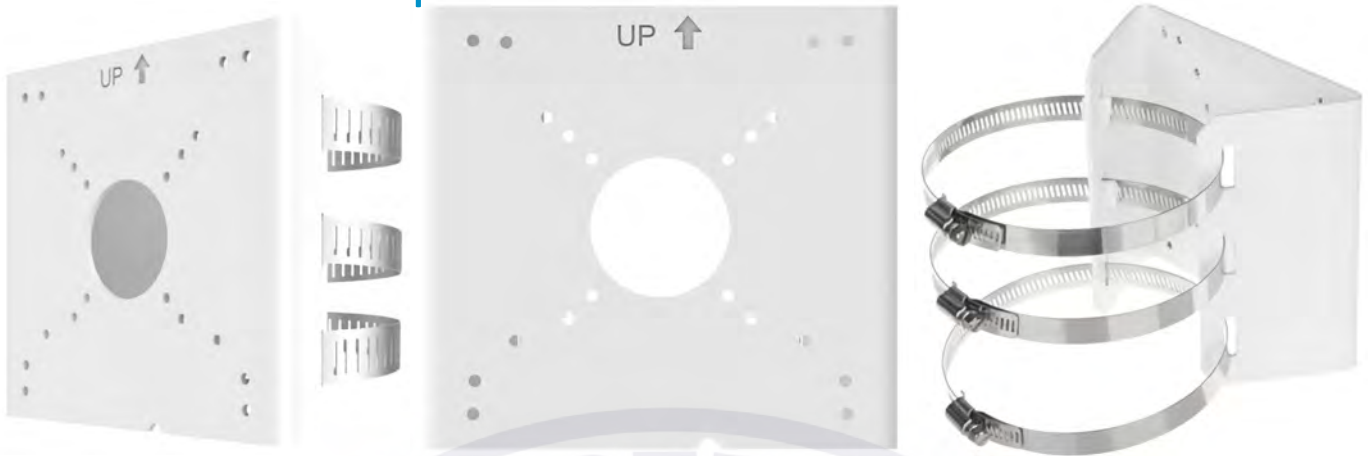


Pole Mount Adapter

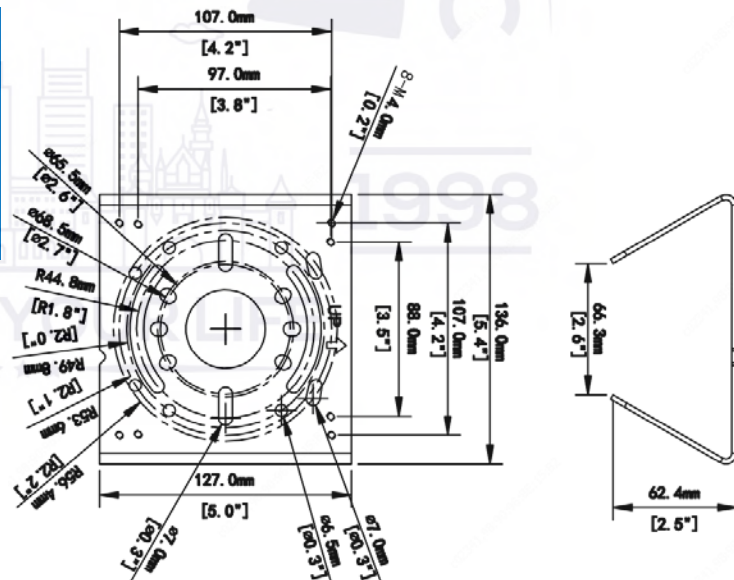


- Material Aluminum Alloy Galvanized Sheet Wraps
- Weatherproof IP66 rated dust-tight and weather resistant
- Secure Rigid construction and full metal material for secure, reliable installation
- Galvanized sheet wraps for corrosion and UV-resistance
- Easy to use, Easy to install and adjust with included hardware
- Versatile, Can accommodate cameras of various shapes and sizes
- Mount arm is adjustable for pole mount, wall mount and rail mount applications

Specifications

Bracket	TR-UP06-IN
Application	Outdoor, pole or rail installation
Dimensions(L x W x H)	5.4ft (164.59 cm) x 5.0 ft (1.52 m) x 2.5 ft (0.76 m)
Embrace hoop diameter	2.6 ft (79.25 cm) ~ 5ft (152.4 cm)
Weight	1.65 lb (748.43 g)
Material	Galvanized sheet

Dimensions



Distributed By

Collsam Distributions; Inc.

Sales: (951) 282-8707 sales@Collsam.com

Support: (213) 210-5744 support@Collsam.com

Website: www.Collsam.com

