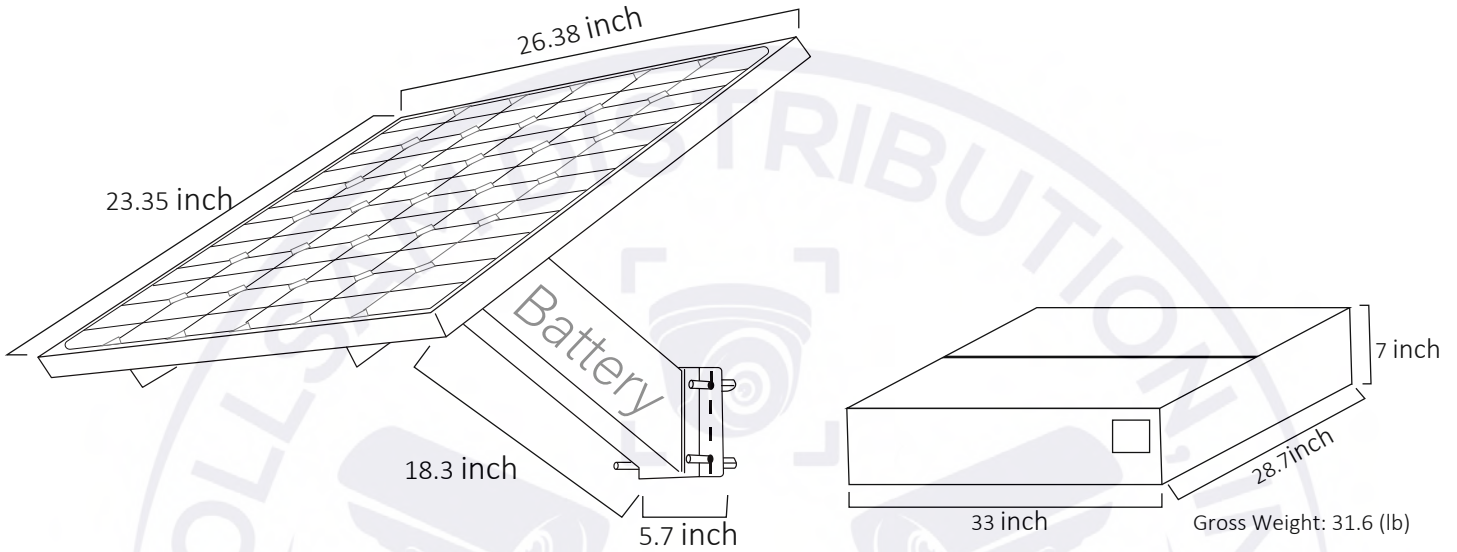


# MBB12V-6038

60W Monocrystalline Solar Panel Kit with Built-in Rechargeable Lithium Battery 12V 38Ah, Waterproof IP66



## 60W Monocrystalline Solar Panel

Max. power (Pmax)	60W	Short circuit current (Isc)	3.79A
Max. power point voltage (Vmp)	18.0V	Working temperature	-4°F~140°F
Max. power point current (Imp)	3.33A	Weight	11.68 (lb)
Open circuit voltage(Voc)	21.1V	Dimensi on	26.38*23.35*2.28 (inch) (The frame is included)

## 38Ah Li-ion Battery

Cell model	18650	Short circuit current (Isc)	5A
Rated capacity	38Ah/456Wh	Working temperature	-4°F~140°F
Nominal voltage	12V	Weight	10.03 (lb)
Limited charge voltage	12.6V	Dimensi on	18.3*5.7*4.33 (inch)