

# Hanging Mounts Hanwha Vision



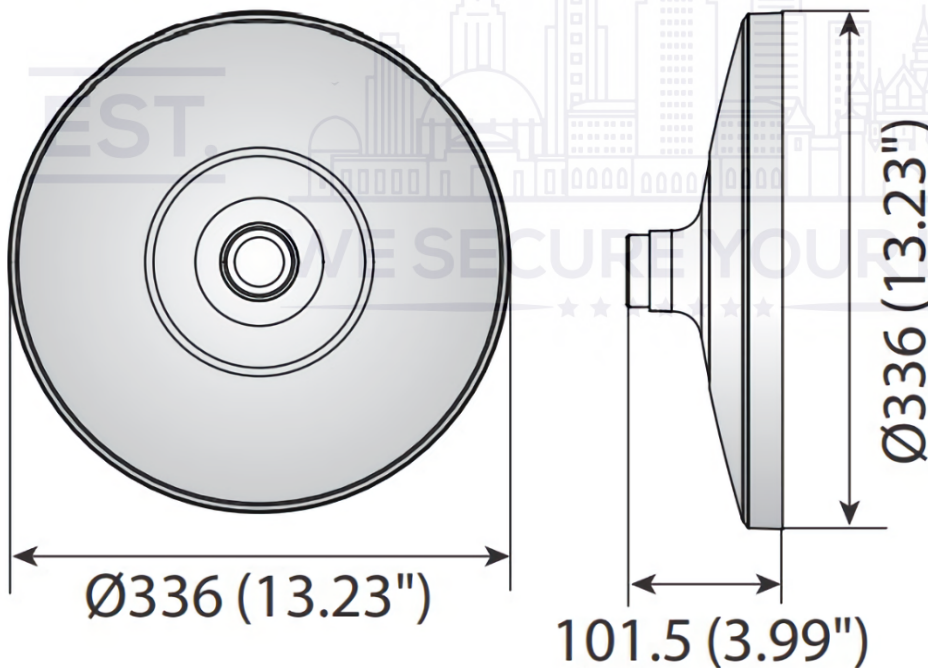
## SBP-329HM

<b>Materials</b>	Aluminum
<b>Dimensions (WxHxD)</b>	Ø336 x 101.5mm (Ø13.23" x 3.99")
<b>Weight</b>	1,182g (2.60 lb)
<b>Color</b>	Ivory
<b>Applicable Model</b>	PNM-9080VQ 9081VQ

\* The latest product information / specification can be found at [hanwha-security.com](http://hanwha-security.com)  
 \* Design and specifications are subject to change without notice.

### Dimensions

Unit : mm (inch)



WISeNET SAMSUNG