

PTZ mounts

Wall Mount
SBP-300Wm1

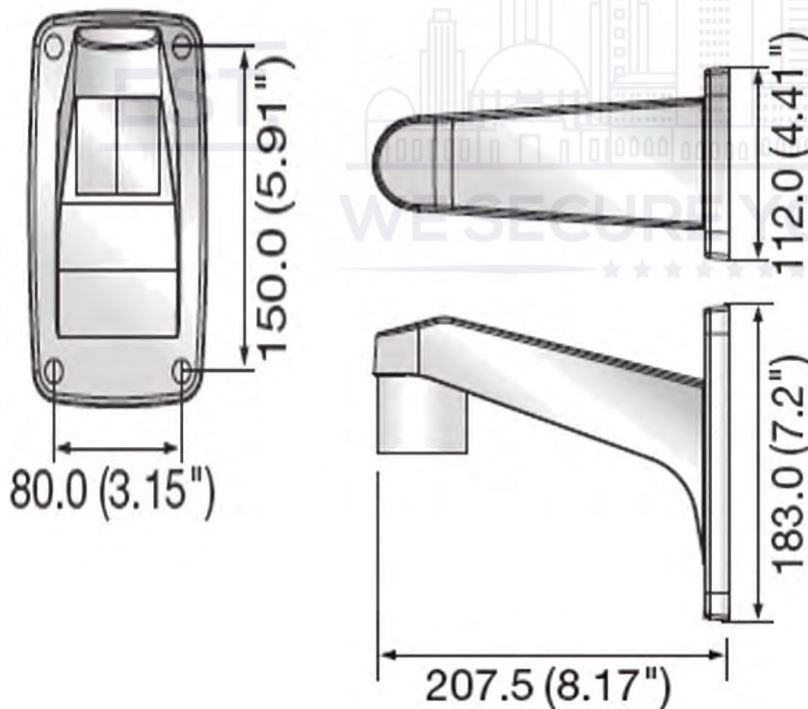


Materials	Aluminum + SECC
Dimensions (W x H x D)	4.41 inch x 7.2 inch x 8.17 inch
pipe Thread	1/2" PF
Weight	1.87 lb
color	Ivory
applicable Model	SNP-6320RH/6320H/6321H/ 6230RH/6201H/6200RH/ 6200H/ L6233RH/L6233H/ 5430H/5321H/5320H/ 5300H/L5233H/ 3371TH/3371H/3120VH SCP-3430H/3371H/3250H/ 3120VH/2430H/2373H/ 2371H/2370RH/2273H/ 2271H/2251H/2250H SBP-300B/300PM/300KM/ 300HM1/301HM2/301HM3/ 301HM4/300HM5/300HM6/ 300HM7/300HM8

* The latest product information / sepecification can be found at <http://security.hanwhatechwin.com>

Dimensions

Unit : mm (inch)



1998

WE SECURE YOUR LIFE

WISENET