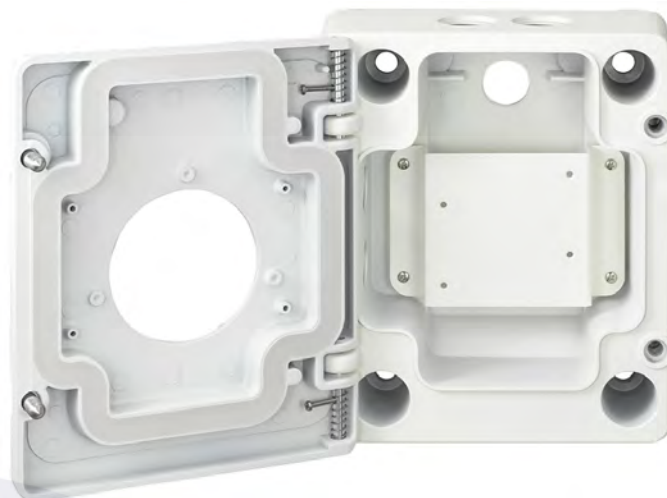


SBP-300NBW - Installation Box

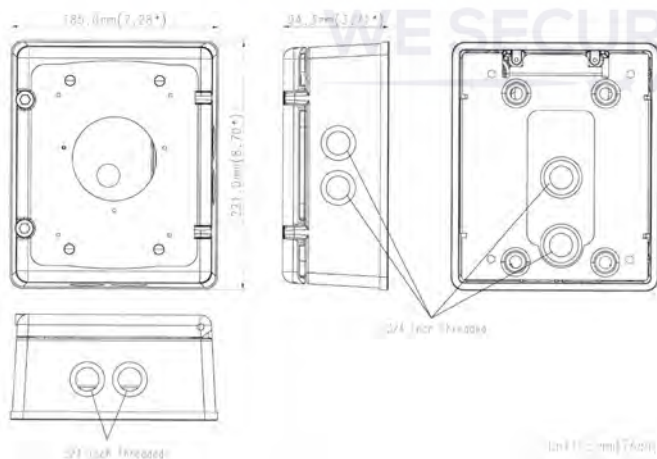


Features

- White junction box design
- Made from steel, aluminum, and silicon
- Increases durability and lifespan of cameras
- Suitable for outdoor use
- IP66 rated for protection against dust and water
- Securely holds Hanwha Techwin mounts
 - SBP-300WM
 - 00WM1
 - 300KM
 - 300PM
 - SBP-300WMW
 - 300WMW1
 - 300KMW
 - 300PMW
- Conceals and protects cables and wires
- Easy installation and mounting process
- Allows for flexible positioning of cameras
- Improves aesthetics of camera installation
- Provides convenience of cable management

Dimensions

Unit: mm (inch)



Materials	Steel / Aluminum
Dimensions (WxHxD)	7.28 inches (18.49 cm) x 8.7 inch (22.1 cm) x 3.71 inch (9.42 cm)
Applicable Model	SBP- 300WM / 300WM1 / 300KM / 300PM SBP-300WMW / 300WMW1 / 300KMW / 300PMW
Weight	3.4Kg (7.49 lb)
Color	White
Ingress Protection	IP66