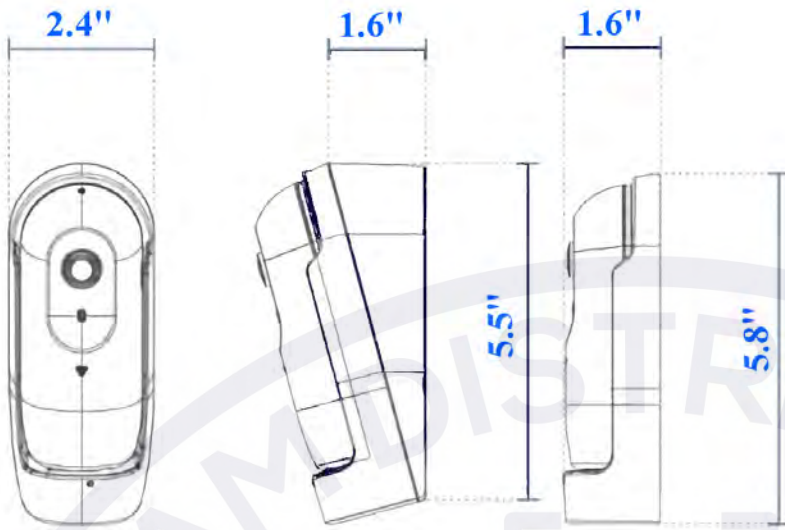


# CC9160-H 180° Panoramic Network Camera

# VIVOTEK

A Delta Group Company



## Technical Specifications

### System Information

Model	CC9160-H
CPU	Multimedia SoC (System-on-Chip)
Flash	256 MB
RAM	512 MB

### Camera Features

Image Sensor	1/2.8" Progressive CMOS
Max. Resolution	1920x1080
Lens Type	Fixed-focal
Focal Length	f = 1.66 mm
Aperture	F1.95
Iris Type	Fixed Iris
Field of View	180° (Horizontal) 100° (Vertical) 180° (Diagonal)
Shutter Time	1/5 sec. to 1/32,000 sec.
WDR Technology	WDR Pro
Minimum Illumination	0.03 lux @ F1.95 (Color)
Tilt Range	15° with tilt bracket
Pan/Tilt/Zoom Functionalities	ePTZ: 48x digital zoom (4x on IE plug-in, 12x built-in)
Storage	Seamless Recording to MicroSD/SDHC/SDXC card and recording to network-attached storage (NAS)

### Video

Video Compression	H.265, H.264, MJPEG
Maximum Frame Rate	H.265: 30 fps @ 1920x1080 (WDR Pro on/off) H.264: 30 fps @ 1920x1080 (WDR Pro on/off) MJPEG: 30 fps @ 1920x1080 (WDR Pro on/off)
Maximum Streams	3 video streams (Up to 8 configurable profiles)
S/N Ratio	66.2 dB
Dynamic Range	120 dB
Video Streaming	Adjustable resolution, quality and constant bit rate control, Smart Stream III
Image Settings	General settings: video title and time stamp overlay, video orientation (flip, mirror), Image settings: white balance, image adjustment (brightness, contrast, saturation, sharpness, gamma curve), defog, 3DNR, HLM, DIS, scene mode (auto, deblur); Exposure: BLC, HLC, exposure control (exposure level, exposure time, gain control), AE speed adjustment, WDR; Privacy mask; Scheduled profile settings

# CC9160-H 180° Panoramic Network Camera

# VIVOTEK

A Delta Group Company

## Audio

Audio Capability	One-way Audio
Audio Compression	G.711, G.726, MPEG-2 AAC-LC
Audio Interface	Built-in microphone
Effective Range	5 meters

## Network

Users	Live viewing for up to 10 clients
Security	Access list, digest authentication, HTTPS, IEEE 802.1x, password protection, Trend Micro IoT Security (brute force attack event, cyberattack event, quarantine event), user access log, user account management
Protocols	802.1X, ARP, Bonjour, CIFS/SMB, DDNS, DHCP, DNS, FTP/SFTP, HTTP/HTTPS, ICMP, IGMPv3, IPv4, IPv6, NTP, PPPoE, QoS (CoS/DSCP), RTSP/RTP/RTCP, SMTP, SNMP, SSL, TCP/IP, TLS 1.2, UDP, UPnP
Interface	10 Base-T/100 Base-TX Ethernet (RJ-45) *It is highly recommended to use standard CAT5e & CAT6 cables which are compliant with the 3P/ETL standard.
ONVIF	Profile G, S, T supported, specification available at <a href="http://www.onvif.org">www.onvif.org</a>

## Solution Integration

Video Motion Detection	Five-window video motion detection
VADP Package	Trend Micro IoT Security (1-year free trial), VIVOCloud, Stratocast

## Alarm and Event

Event Trigger	Audio Detection, camera tampering detection, cybersecurity events (brute force attack event, cyberattack event, quarantine event), manual trigger, motion detection, periodical trigger, recording notification, SD card life expectancy, system boot, digital input
Event Action	Event notification via email, HTTP, FTP, NAS server, SD card, push notification, digital output File upload via email, HTTP, FTP, NAS server, SD card

## General

Connectors	RJ-45 cable connector for 10/100 Mbps Network/PoE connection DI DO (DO+: 12V, 50mA; DO-: 30V, Open Drain, 1A)
LED Indicator	System power and status indicator
Power Input	IEEE 802.3af PoE Class 2
Power Consumption	Max. 5 W
Dimensions	120 (H) x 52 (W) x 39 (D) mm (Body only) 147 (H) x 61 (W) x 41 (D) mm (w/ Bracket)
Weight	81 g (camera body) 127 g (w/ bracket)

## Certifications

Operating Temperature	Starting Temperature: 0°C ~ 45°C (32°F ~ 113°F) Working Temperature: -10°C ~ 45°C (14°F ~ 113°F)
-----------------------	---

## Humidity

Humidity	90% RH (non-condensing)
----------	-------------------------

## System Requirements

Operating System	★ Microsoft Windows 10/8/7 ★ Mac 10.12 (Chrome only)
Web Browser	Chrome 58.0 or above Internet Explorer 10/11
Other Players	VLC: 1.1.11 or above

## Included Accessories

Packing Contents	Quick installation guide, mounting bracket, tilt bracket, screw pack
------------------	--