



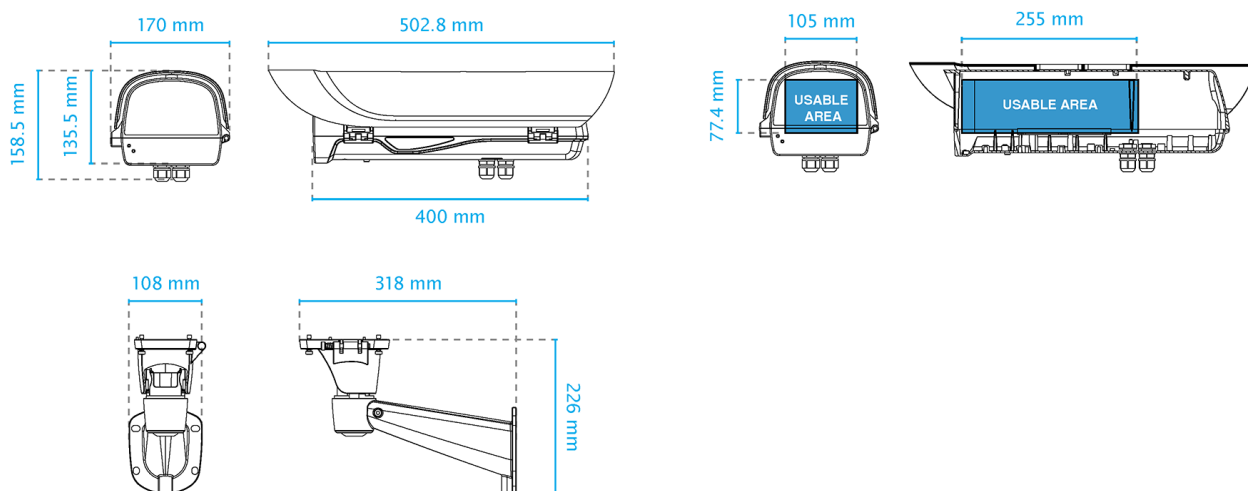
The Vivotek AE-23A-wBS is the perfect solution for protecting your valuable surveillance cameras in outdoor environments. Cast aluminum makes this outdoor enclosure ideal for use in various outdoor settings. With its IP68 rating, it keeps dust and water out of the enclosure, keeping your cameras safe and working well.

The IK10 vandal proof rating on this outside enclosure adds an extra layer of protection against damage and tampering. This makes it an excellent choice for high-risk areas where cameras may be subject to intentional damage. The Vivotek AE-23A-wBS keeps your surveillance equipment safe and functional, giving you peace of mind and reliable performance.

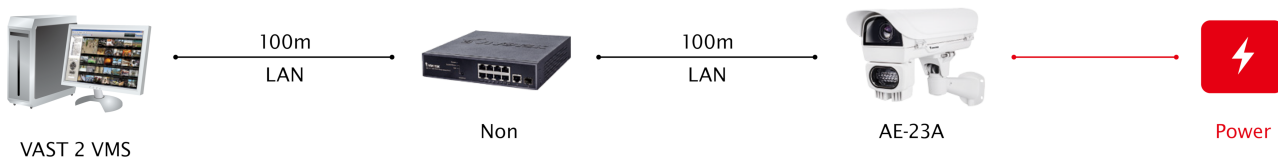
Key Features

- Weather-proof IP68-rated Enclosure
- Vandal-proof IK10-rated Cast Aluminum Housing
- Window Demister Heater and Fan
- Adjustable Sun-shield
- Side-Opening Alarm Switch
- VAIR Illuminators (Optional)

Dimension



Application



Technical Specifications

| | |
|-------------------------------|--|
| Model Name | AE-23A |
| Input Voltage | 24V AC/DC* *requiring 26~28VDC input for Snap-in IR |
| Power Output | AC/DC 24V*1 DC 12V*1 |
| Max Output Power Budget | 80W |
| Power Consumption | Window Heater: 10W Fan: 2W Others: 2W |
| Optional Vari IR Illuminators | AI-106: 6W, 10~40', 40~100 m AI-108: 24W, 10' ~ 30', 70 ~ 200 m AI-109: 48W, 10~40', 150~350 m |
| Operating Temperature | -20°C ~ 65°C (-4°F -20°C ~ 50°C (-4°F ~ 122°F) (IR ON) |
| Windows Heater ON/OFF | ≤ 30°C (86°F) ON ≥ 35°C (95°F) |
| Fan ON/OFF | ≥ 40°C (104 °F) ON ≤ 35°C (95 °F) OFF |
| Waterproof IP Rating | IP68 |
| Vandal Proof | IK10 Impact Rated on Cast Aluminum Housing |
| Supported Cameras | All VIVOTEK Box Cameras |
| Included Accessories | Installation Guide Screw Kit Wall Mount Bracket (AM-21E) Sun Shield (AE-251) |
| Mount Type | Wall Mount Ceiling Mount Corner Mount Standing Mount |