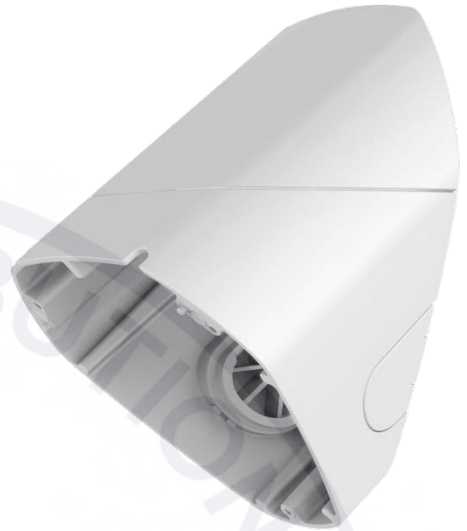


## AB-FE45

### 45° Angled Base Mount for Fisheye Camera

The AB-FE45 45° Angled Base Mount for Select Fisheye Cameras from Hikvision is a great mounting solution for any surveillance system. This aluminum mount is designed to be installed on a wall that can support more than three times the total weight of the camera and the mount.

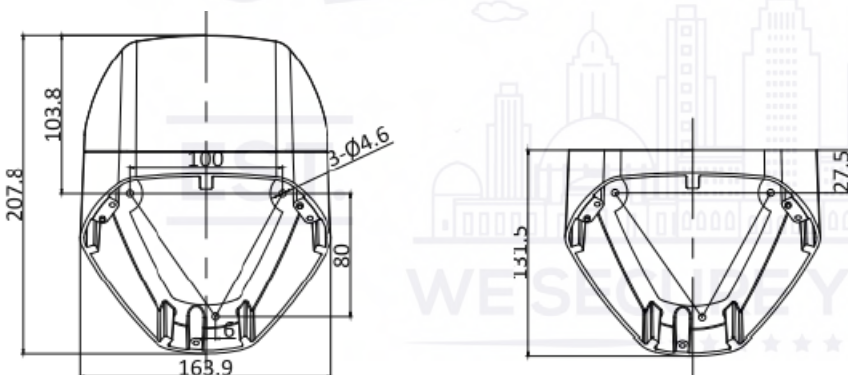
- Compatible with select Fisheye cameras from Hikvision
- Made from aluminum with surface spray treatment and designed for the DS-2CD63xxFxx-Ix Series Camera
- Load bearing capacity: 11 lb (4.99 kg)
- Installation Requirements: Flat wall that can support over three times the total weight of the camera and the mount
- Solid aluminum construction ensures long-term use
- Quick and easy installation on flat walls
- Supports over three times the total weight of the camera and the mount, providing a secure mounting solution



### Specifications

	AB-FE45
Appearance	Hikvision White
Range of Application	45° Angled Base Mount for Fisheye Camera
Material	Aluminum Alloy
Dimension	6.46" x 6.02" x 0.55" (164 mm x 153 mm x 13.9 mm)
Weight	8.99 oz. (255 g)

### Dimensions



#### Distributed By

Collsam Distributions; Inc.

Sales: (951) 282-8707 sales@Collsam.com

Support: (213) 210-5744 support@Collsam.com

Website: www.Collsam.com

