

AB135(B) Angled Base for Dome Camera



	AB110	AB110B
Color	Hikvision white	Black
Features	Increases camera elevation angle by 15°	
Material	ABS + PC	
Dimensions	Ø4.37" × 1.54" (Ø111 mm × 39.2 mm)	
Weight	0.44 lb (200 g)	

- Tough and Strong
- Wire Outlet Hole
- Compact
- Increases Elevation Angle by 15°

NOTES: Pay attention to the application range when selecting mount.

Pay attention to color matching when selecting mount.
Install mount on flat ceiling.

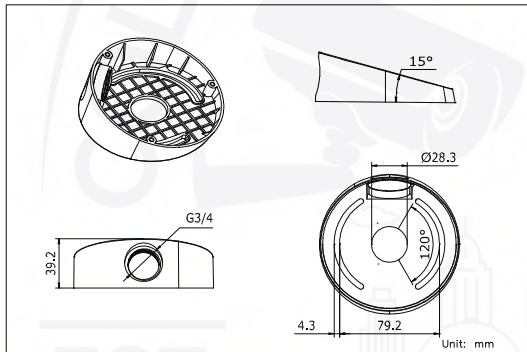
The ceiling must be capable of supporting more than three times the total load of the camera and the mount.

Maximum load capacity of the mount is 4.41 lbs (2.0 kg).

Order Model

AB135: Hikvision
white AB135B: Black

Dimensions



Installation

1. Select suitable ceiling to install the mount and wire.
2. Loosen the tightening screw and take down the housing.
3. Install the dome core to the gang box, wire, and lock the screw.
4. Adjust the angle through the 3-axis adjustment structure.
5. Install the housing and lock the screws.
6. Finish the installation.

