

**Installation Guide**

**Corresponding ordering part numbers:**

AM-312_V04_60MM: VIO900000067	AM-714: VIO100134800
AM-312_V04_90-152MM: VIO900000068	
AM-218: VIO100146100	AM-719: VIO100184500

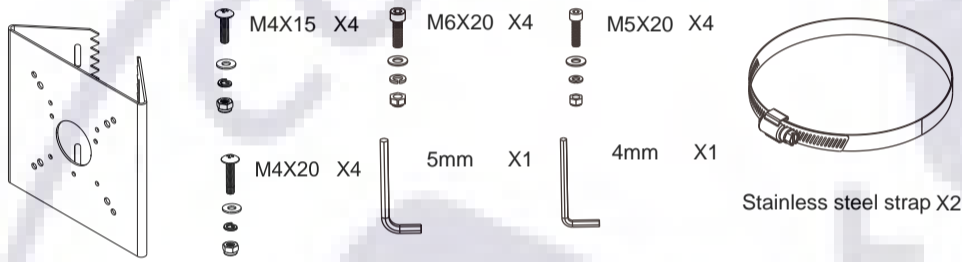
**I Compatible VIVOTEK Cameras**

Compatible brackets	Supported Cameras
AM-71G	FD9167-HT-v2, FD9367-EHTV-v2, IB9367-EHT-v2, IB9367-EHT-v2 (5-50mm), FD9365-EHTV-v2, FD9187-HT-v3, FD9387-EHTV-v3, FD9391-EHTV-v2, IB9365-EHTV-v2, IB9387-EHTV-v3, IB9391-EHTV-v2
AM-218 (via AM-714/AM-719)	Please refer to AM-218, AM-520, and AM-525 documents.
Directly attached	IB9365-EHT-A, IB9365-EHTV-v2, IB9367-EHT-v2, IB9368-HT, IB9387-(E)HT-A, IB9387-EHTV-V3, IB9388-HT, IB9389-EH(T)-v2, IB9391-EHTV-v2, MS8391-EV, MS9390-HV, TB9330-E, TB9331-E, MS9321-EHV, MS9321-EHV-V2, IB9383-H(T)V, MS9390-EHV-v2, TB9332-E, TB9333-E, IB9399-EHV, IB9399-EHTV, IB9389-EHV-V3, IB9389-EHTV-V3

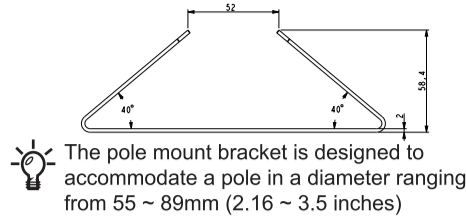
\* The directly-attached configuration is less recommended for the lack of waterproof and cabling protection. If directly attached, you should properly wrap the rear-end cables and connectors with waterproof protection such as putties.

**Package Contents**

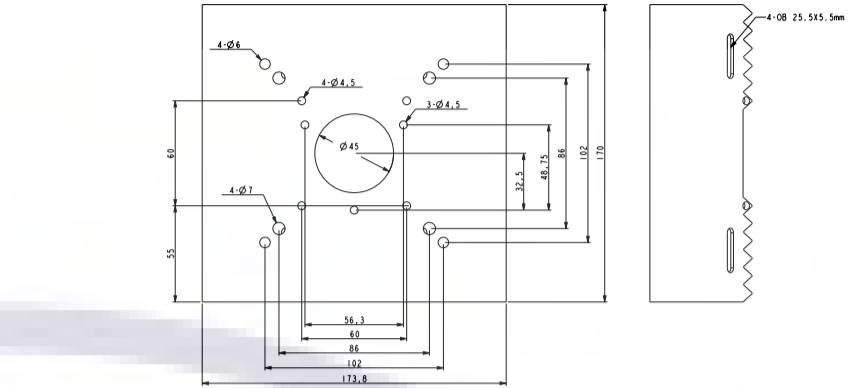
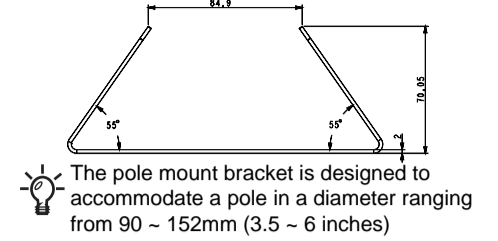
Items	Quantity
1. Pole mount bracket, 2. Stainless steel strap x2, 3. M6X20mm screws x4, 4. M5X20mm screws x4, 5. M4x20mm screws x4, 6. Hex L wrench 5mm x1, 7. Hex L wrench 4mm x1, 8. M4x15 screws x4.	



**AM-312\_V04\_60MM**

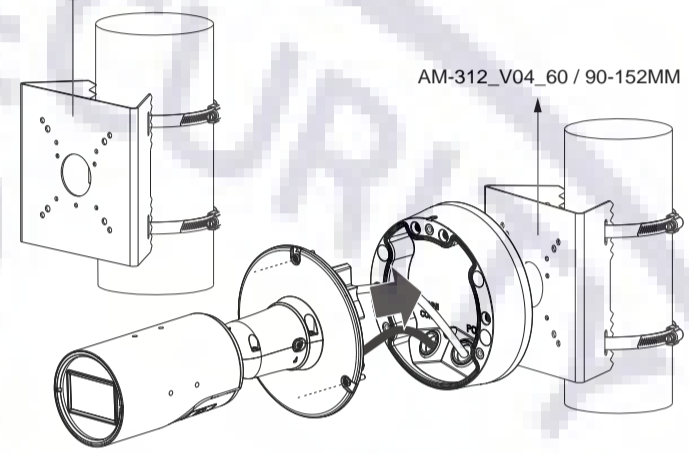


**AM-312\_V04\_90-152MM**



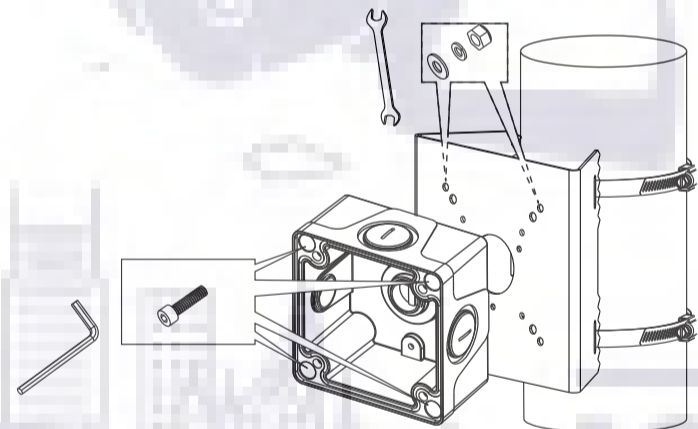
AM-312\_V04\_60 / 90-152MM Applications

**AM-312\_V04\_60 / 90-152MM**



- Make sure you have purchased the adequate accessories to be combined for your installation.
- **Please do not install an indoor camera in an outdoor environment! Doing so will void our warranty.** This is determined by whether the camera housing is weather-proof.
- Direct sunlight can tremendously increase the temperature within the device.

- Secure the AM-714 / AM-719 conduit box to bracket using the M5 screws, washers, and hex heads. A hex crescent wrench is required.

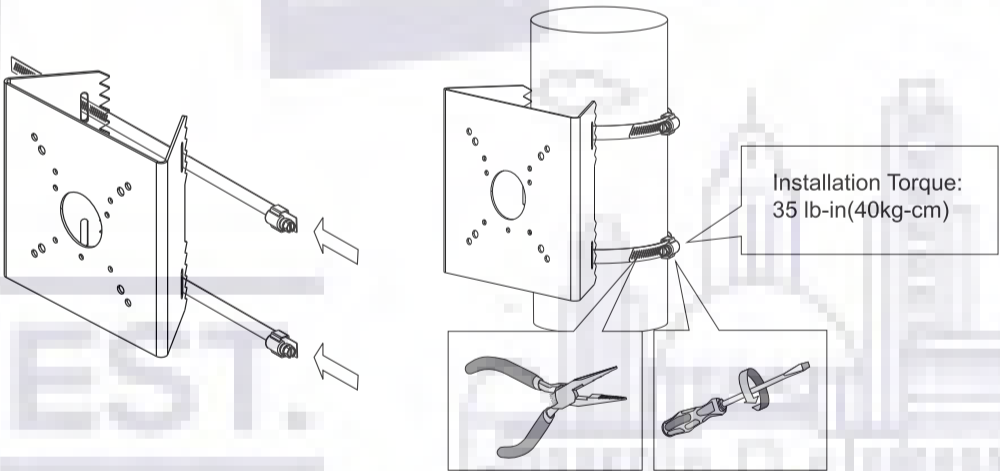


- For the rest of the installation procedure, refer to the documentation that came with the AM-714, AM-719, AM-218, and the other accessories.

The 3/4" cable glands and conduits for protecting cables are user-supplied.

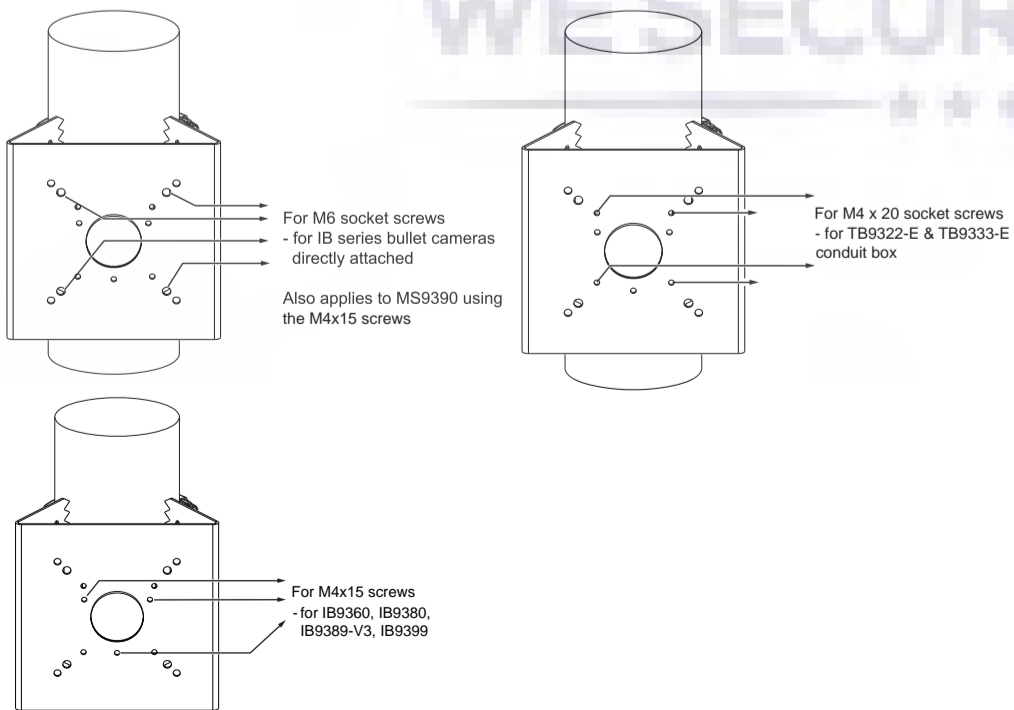
**III Installation**

Below is a general, sample procedure using a Pole mount bracket:  
 1. Pass the stainless steel straps through the bracket and around the pole.  
 2. Tighten the straps using a pincer plier and a flat blade screwdriver.

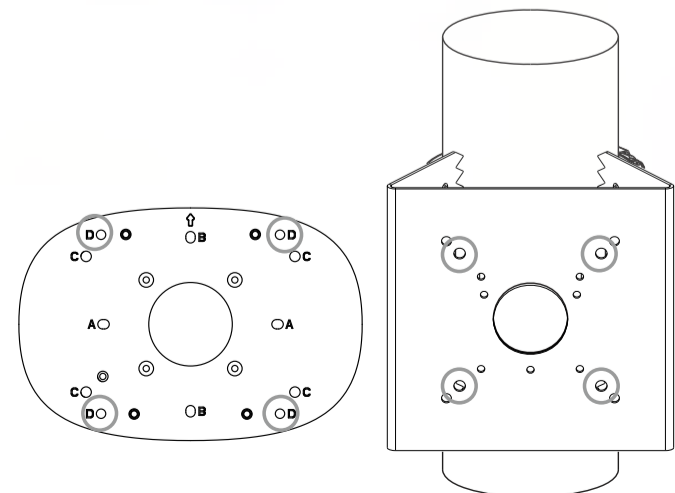


- The 4 screw holes in the center are used for directly mounting the IB series bullet cameras.

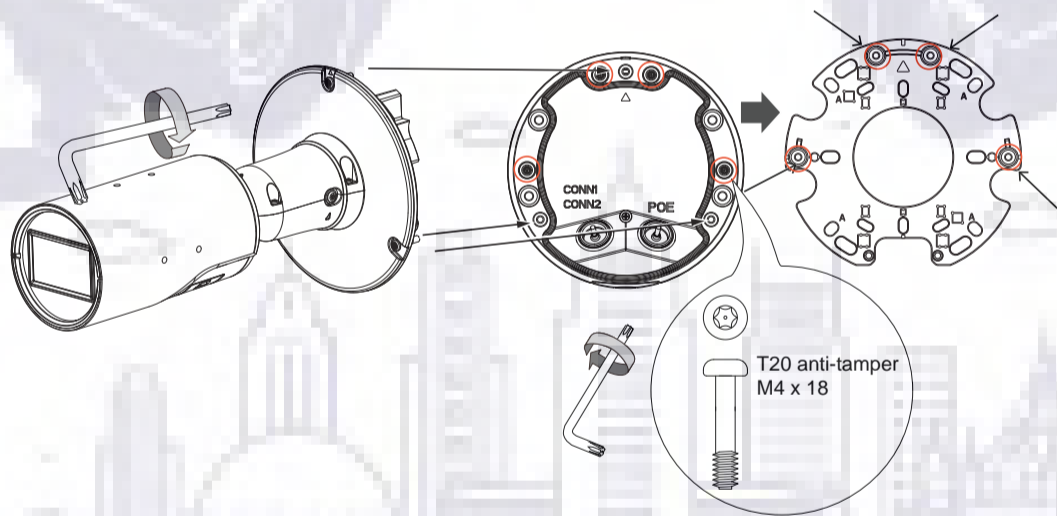
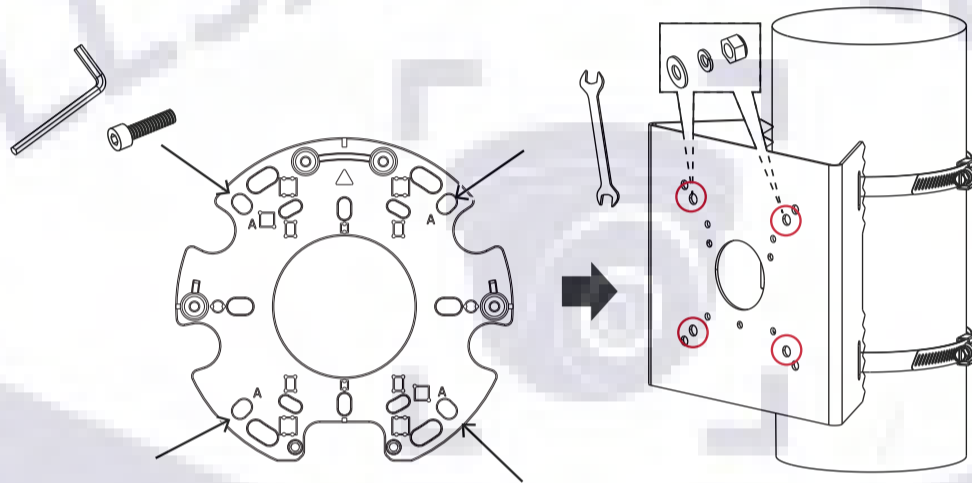
The 4 screw holes at the edges are used for mounting the AM-714 conduit box.



Below are the corresponding mount holes for the MS9390-HV.



For IB9367-EHT-v2, IB9391-V2, IB9365-V2 & IB9391-V2, secure the adapter plate to the bracket using M6 x 20 socket screws. Tighten the hex nuts to secure from the other side.



EST.

1998

WE SECURE YOUR LIFE