

CMPL Long Arm Wall Corner Mount Adapter



CMPL	
Color	Hikvision white
Feature	Suitable for speed dome wall corner mounting
Material	Aluminum alloy and steel
Dimensions	10.06" x 12.36" x 21.51" (255.5 mm x 314 mm x 546.4 mm)
Weight	18.51 lbs (8396 g)

Order Model

CMPL

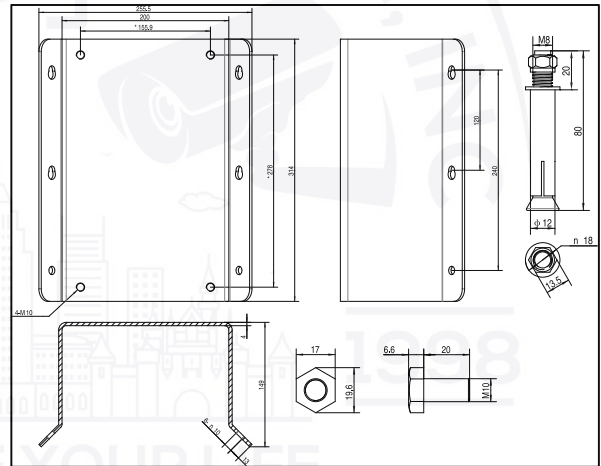
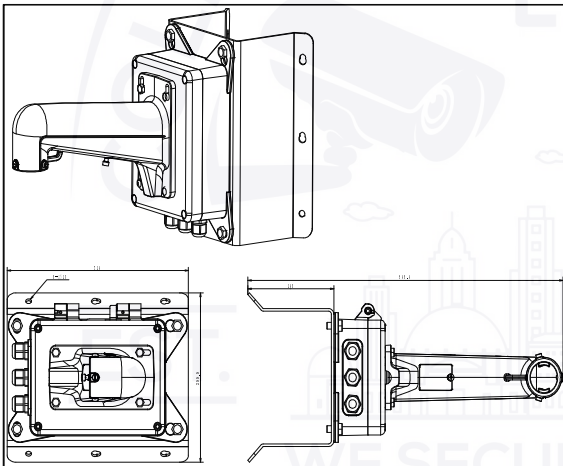
NOTE: The wall must be capable of supporting more than three times the total capacity of the camera and the bracket. Load capacity of bracket is 10 kg (22.05 lb).

NOTE: Requires JBP-W junction box with wall mount (Sold separately, not included).

Key Features

- Safety Rope

Dimensions



Compatible PTZ Cameras

DS-2AE5xxx; DS-2AE7xxx; DS-2DE4xxx; DS-2DE5xxx; DS-2DE6xxx; DS-2DE7xxx; DS-2DF5xxx; DS-2DF6xxx; DS-2DF8xxx

NOTE: The actual adapter may vary from the picture above.

Distributed By

Collsam Distributions; Inc.
Sales: (951) 282-8707 sales@Collsam.com
Support: (213) 210-5744 support@Collsam.com
Website: www.Collsam.com

