

# DH-PFA105

## Fisheye Adapter Plate



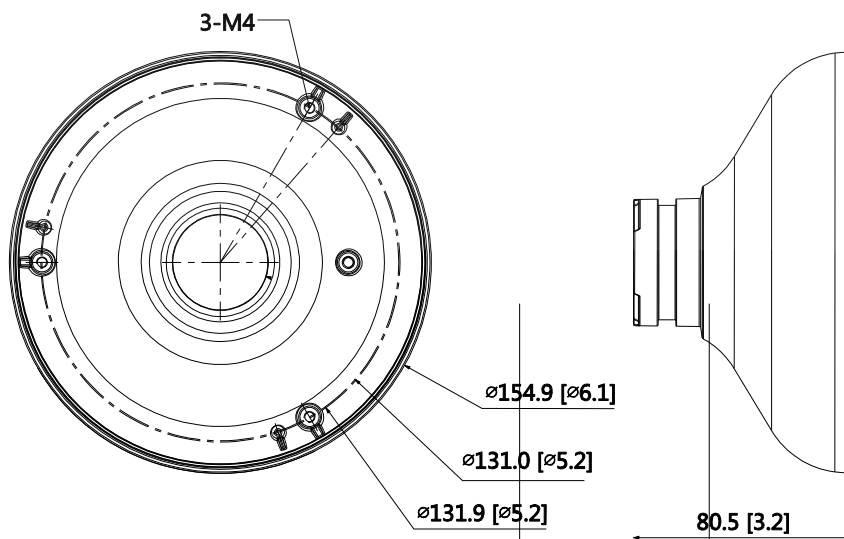
### Features

- Neat and Integrated design.
- Material: Aluminum.

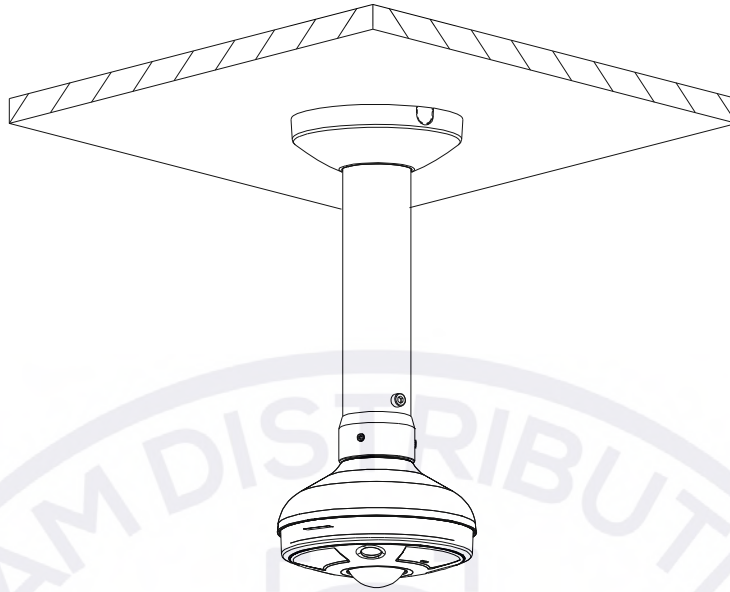
### Technical Specifications

<b>Model</b>	<b>DH-PFA105</b>
<b>General</b>	
Material	Aluminum
Dimension	Φ154.9mmx80.5mm (Φ6.1"x3.17")
Load Bearing	1kg (2.2lb)
Weight	0.26kg (0.57lb)
Color	White
Operating Temperature	-40°C ~60°C(-40°F ~+140°F)
Humidity	<90% RH
Applicable Model	Please see "Accessory Selection"

### Dimensions (mm/inch)



## Application



## Package Information

Package data	
Box Dimension	191mmx199mmx96mm (7.52"x7.83"x3.78")
Box Weight	0.32kg (0.71lb)
Protective Box Dimension	624mmx600mmx428mm (24.57"x23.62"x16.85")
Box In Protective Box	36 In 1

