

# Junction Box

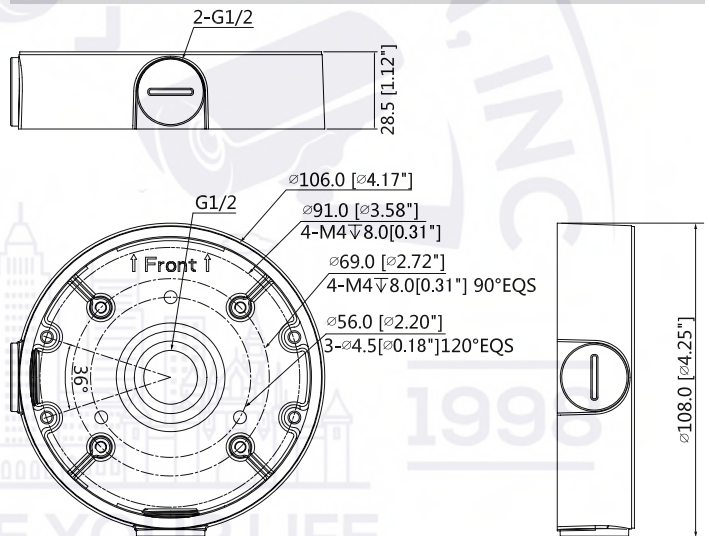


- Neat and Integrated Design
- Aluminum

### Technical Specifications

Material	Aluminum
Dimensions (W x H x D)	∅108.0 mm x 28.50 mm (∅4.25 in. x 1.12 in.)
Pipe Thread	M20 (G1/2 in.)
Weight	0.16 kg (0.35 lb)
Load Bearing Capacity	1.0 kg (2.20 lb)
Color	Black
Operating Temperature	-40 °C to 60 °C (-40 °F to 140 °F)
Humidity	< 90% RH

### Dimensions (mm/in.)



### Ordering Information

Type	Part Number	Description
Junction Box	DH-PFA139-B	Junction Box, Black
Hardware Included		4 x M4 x 10 Screws 3 x ST4 x 25 Screws 3 x Plastic Anchors 1 x Hex Wrench