

# Waterproof Junction Box

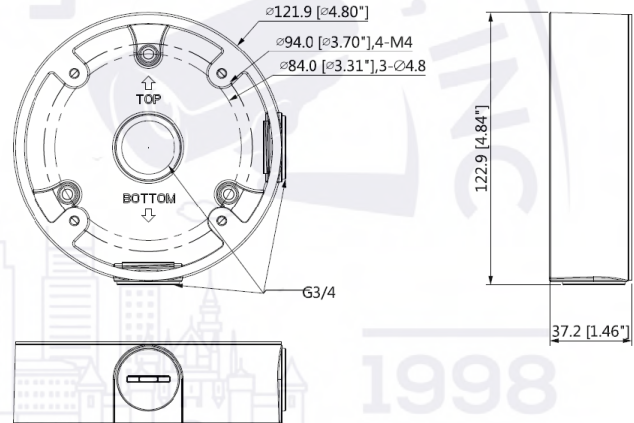


- Material: Aluminum
- Dimensions (W × H × D): 4.84 inches (12.29 cm) x 1.46 inch (3.71 cm)
- Pipe Thread: G3/4 in.
- Weight: 0.49 lb (222.26 g)
- Load Bearing Capacity: 6.61 lb (3 kg)
- Color: White
- Operating Temperature: -40 °F (-40 °C) to 140 °F (60 °C)
- Humidity: 0% to 90% RH

### Technical Specifications

Material	Aluminum
Dimensions (W x H x D)	∅123.0 mm x 37.20 mm (∅4.84 in. x 1.46 in.)
Pipe Thread	G3/4 in.
Weight	0.22 kg (0.49 lb)
Load Bearing Capacity	3.0 kg (6.61 lb)
Color	White
Operating Temperature	-40 °C to 60 °C (-40 °F to 140 °F)
Humidity	0% to 90% RH

### Dimensions (mm/in.)



### Ordering Information

Type	Part Number	Description
Junction Box	PFA13C	Waterproof Junction Box
Hardware Included		4 x M4 Screws 3 x ST4 screws 3 x Plastic Anchors 1 x Hex Wrench 1 x Mounting Template