

Pole Mount Bracket

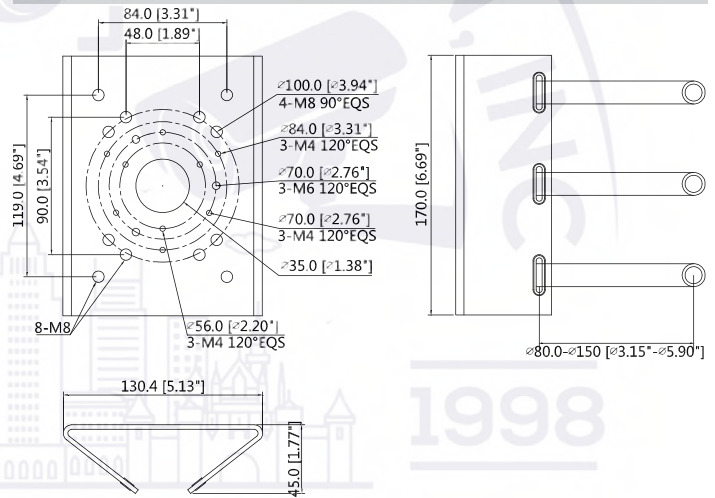


- Made of SECC and SUS304 stainless steel
- Available in black or white
- Dimensions: 5.13 in. x 6.70 in. x 1.77 in.
- Mast diameter: \varnothing 3.15 in. to \varnothing 5.91 in.
- Compatible Cameras
 - DH-PFB300S
 - DH-PFB300W
 - DH-PFB301W
 - DH-PFA120
 - H-PFA130
 - DH-PFA131
 - DH-PFA140
 - DH-PFB300C

Technical Specifications

Material	SECC and SUS304 Stainless Steel
Dimensions (W x H x D)	134.0 mm x 170.0 mm x 45.0 mm (5.13 in. x 6.69 in. x 1.77 in.)
Compatible Mast Diameter	\varnothing 80 mm to \varnothing 150 mm (\varnothing 3.15 in. to \varnothing 5.91 in.)
Weight	1.10 kg (2.34 lb)
Load Bearing Capacity	10.0 kg (22.05 lb)
Operating Temperature	-40 °C to 60 °C (-40 °F to 140 °F)
Humidity	0% to 90% RH

Dimensions (mm/in.)



Ordering Information

Type	Part Number	Description
Pole Mount	PFA150	Pole Mount Bracket
Package Contents	1	Pole Mount Bracket
	4	M8 x 25 Screws
	1	Hex Wrench
	3	80 mm to 150 mm Metal Hoops