

Junction Box

ø347.0 mm (ø13.66 in.) For Use with Explosion-protected Cameras

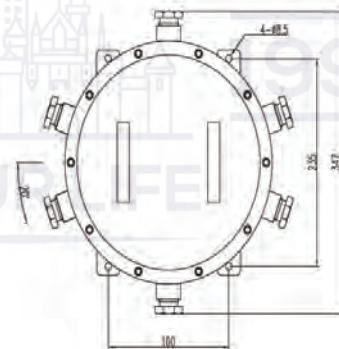
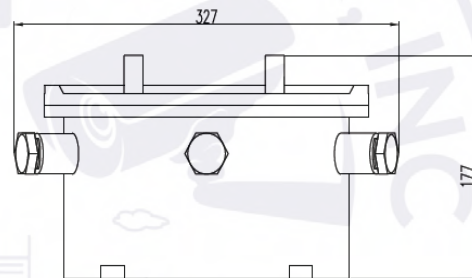


- Made from corrosion-resistant 316L stainless steel
- Six cable ports with G.75" connection for quick and easy wiring
- IP68 ingress protection ensures water and dust protection
- Designed for extreme temperature environments
- Compatible with explosion-protected cameras

Technical Specifications

Material	316L Stainless Steel
Dimensions (L x W x H)	
External	ø347.0 mm x 177.0 mm (ø13.66 in. x 6.70 in.)
Internal (L x W x H)	234.0 mm x 234.0 mm x 119.0 mm (9.21 in. x 9.21 in. x 4.69 in.)
Pipe Thread	G-3/4 in.
Weight	14.70 kg (32.41 lb)
Operating Temperature	-40 °C to 60 °C (-40 °F to 140 °F)
Humidity	Less than 95% RH
Certifications	
Ingress Protection	IP68

Dimensions (mm)



Ordering Information

Type	Part Number	Description
Junction Box	DH-ZAJ300	316L Stainless Steel Junction Box