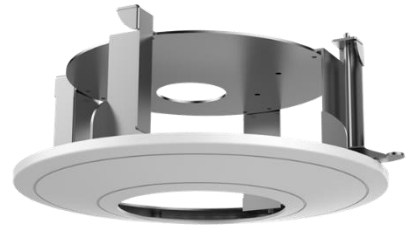


DS-1227ZJ-DM37

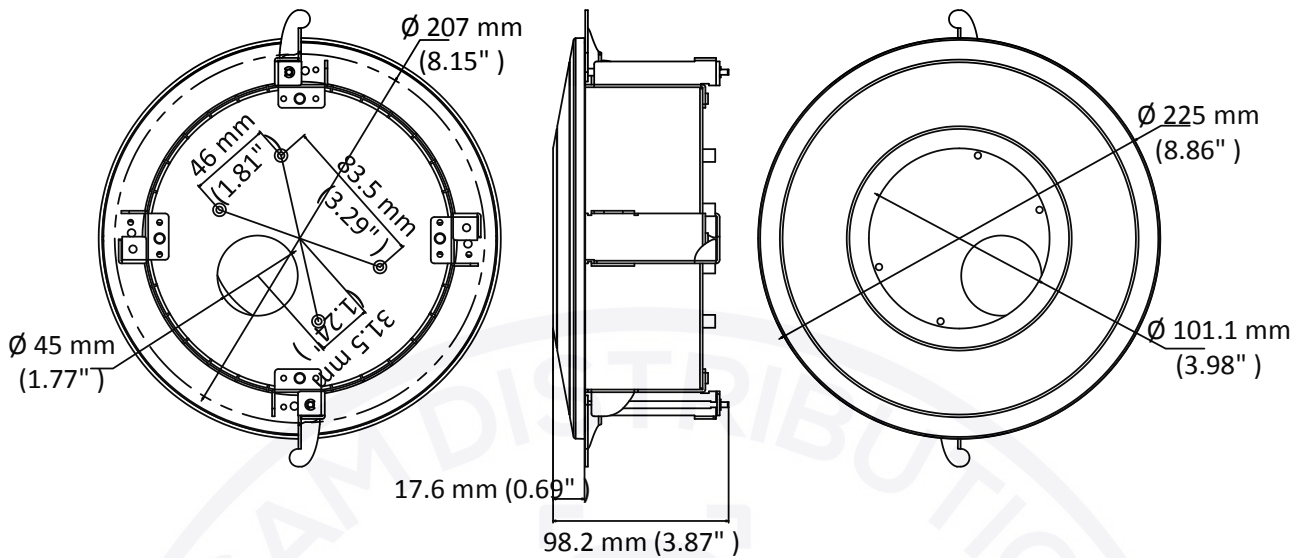
In-Ceiling Mount



Features

- Steel and plastic with surface spray treatment
- In-ceiling mount saves installation space

Dimension



Available Model

DS-1227ZJ-DM37

Parameter

Model	DS-1227ZJ-DM37
Parameters	In-Ceiling Mount
Appearance	Hikvision White
Material	Steel and Plastic
Dimension	Ø 225 mm × 98.2 mm (8.86" × 3.87")
Weight	700 g (1.54 lb.)

Notes

- The mount should be installed on the flat ceiling.
- The ceiling must be capable of supporting over 3 times as much as the total weight of the camera and the mount.
- The maximum load capacity of the mount is 3 kg (6.6 lb.).

Distributed By

Collsam Distributions; Inc.

Sales: (951) 282-8707 sales@Collsam.com

Support: (213) 210-5744 support@Collsam.com

Website: www.Collsam.com

