

Installation & Operation Manual



V2000D-ICH In-Ceiling Mounting Kits

Vicon Industries Inc. does not warrant that the functions contained in this equipment will meet your requirements or that the operation will be entirely error free or perform precisely as described in the documentation. This system has not been designed to be used in life-critical situations and must not be used for this purpose.

Document Number: 8009-8318-85-00 Product specifications subject to change without notice. Issued: 9/20 Copyright © 2020 Vicon Industries Inc. All rights reserved.

Vicon Industries Inc.
Tel: 631-952-2288) Fax: 631-951-2288
Toll Free: 800-645-9116
24-Hour Technical Support: 800-34-VICON
(800-348-4266) UK: 44/(0) 1489-566300
www.vicon-security.com

Introduction

The information in this manual covers the installation, operation, and maintenance of the V2000D-ICH In-Ceiling Mounting Kits for the V2000D Dome Cameras. These units should only be installed by a qualified technician using approved materials and wiring practices in accordance with the national Electric Code ANSI/NFPA 70, state, and local codes. Read these instructions through completely before attempting installation.

The V2000D-ICH is designed to allow the V2000D Dome Camera to be mounted into a hard ceiling. This mounting kit provide a sturdy support when an in-ceiling installation is required. Refer to Table 1.

**Table 1
Product Description**

Model Number	Description
V2000D-ICH	In-ceiling mounting kit for hard ceilings; includes mounting bracket and all necessary hardware

Installation

The V2000D-ICH In-Ceiling Mounting Kits include all the components necessary to complete the installation, including appropriate hardware. See Table 2. For complete installation instructions for the V2000D, refer to XX318-40.

Table 2: Mounting Kit Components

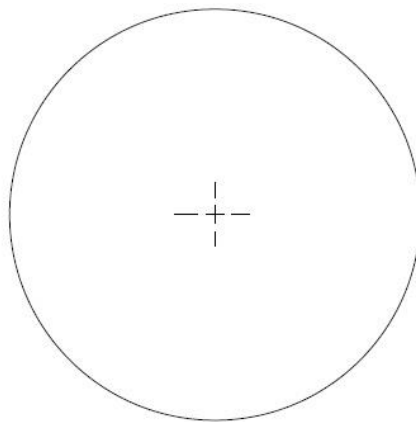
Component	Quantity	Function
V2000D-ICH		
Paper Template	1	Used to mark exact hole to cut for dome installation
In-ceiling mounting bracket (hard ceiling)	1	Secures camera dome into ceiling
Interface plate	1	Adapts camera dome for in-ceiling installation
8-32x2.50 Phillips fillister head mounting screws	2	Secures interface plate/camera base to mounting bracket
M4x.7/16mm flat head screws	3	Secures camera base to interface plate
M4x.7 captive screws	3	Mounts dome trim ring to interface plate

The ceiling material must provide suitable strength to support the weight of the V2000D camera (2.6 lb, 1.2 kg). Be sure the area around the selected location is clear of obstacles (such as steel beams, headers, pipes, electrical wiring, etc.) that would interfere with mounting. Video and power cables must be routed to the location. Before beginning installation, refer to the installation manual for the V2000D Dome Camera, XX318-40, for complete instructions.

Using the Template

A paper template is provided to assist in marking an accurate hole size in a hard ceiling or a ceiling tile for in-ceiling installations. Refer to Figure 1 and use as follows:

1. When working in a drop ceiling, remove the ceiling tile and place it on a large flat surface, face up. For a hard ceiling, work directly on the ceiling surface.
2. Choose the desired location for the V2000D installation. For aesthetic purposes in a drop ceiling, find the approximate center to the ceiling tile.
3. Place the template at the center of the desired location and mark the outer circle from the template.
4. Cut out the circle, using a sharp tool, on the template line.



REF. DIA. = 5.92"

Figure 1
Using the Template

Installing the V2000D-ICH

1. Working on the V2000D on a bench, remove the lower dome and trim ring assembly. Detach the lanyard from inside the base.
2. Remove the three (3) trim ring mounting screws from the lower dome and trim ring assembly and replace them with the three (3) M4x.7 captive trim ring mounting screws supplied. These are shorter screws that provide proper attachment to the interface plate. Failure to do so may damage trim ring threads during removal from interface plate.
3. Install the interface plate onto the base of the V2000D with the three (3) M4 flat head screws provided.
4. If not already done, cut a hole in the ceiling using the paper template provided. Refer to Using the Template section.

5. Secure the V2000D assembly with interface plate to the mounting bracket using two (2) of the six mounting holes in the V2000D base with the 8-32 fillister head screws provided. Attach the bracket to base in a way that only a short portion of the screws protrude through the bracket. Refer to Figure 2.
6. When installing the camera base/interface plate assembly into the hole in the ceiling, place one edge of the mounting bracket over the top edge of the hole. Slide the assembly to the side and rotate the assembly with the bracket at full extension of the mounting screws into the hole. The mounting bracket will snap into place. Position the interface plate over the center of the hole and tighten the screws in the top of the bracket for a snug fit. This will expand the bracket and squeeze it into the ceiling for a secure fit. Reattach the lanyard inside the base. See Figure 3 for the installed position.
7. Refer to XX318-40 for cabling, adjustment of the camera/lens and reattachment of the lower dome/trim ring assembly. After all adjustments are made, reattach the trim ring lanyard and secure lower dome/trim ring assembly to the V2000D interface plate.

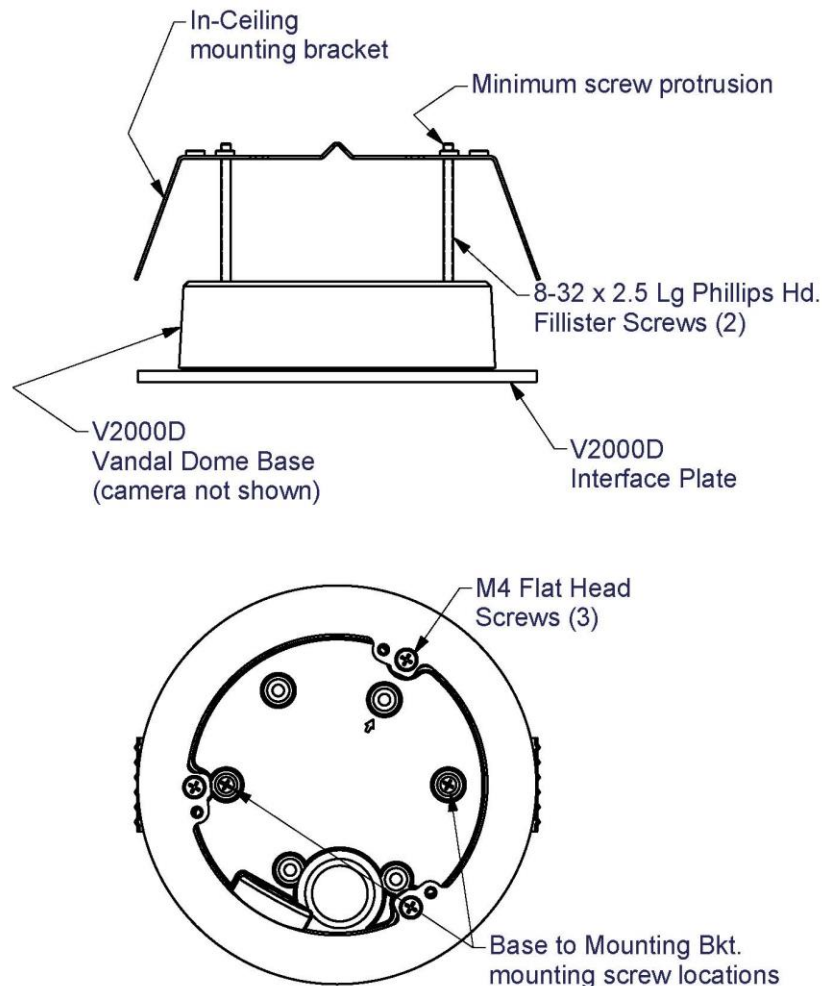


Figure 2
V2000D-ICH Initial Installation Setup

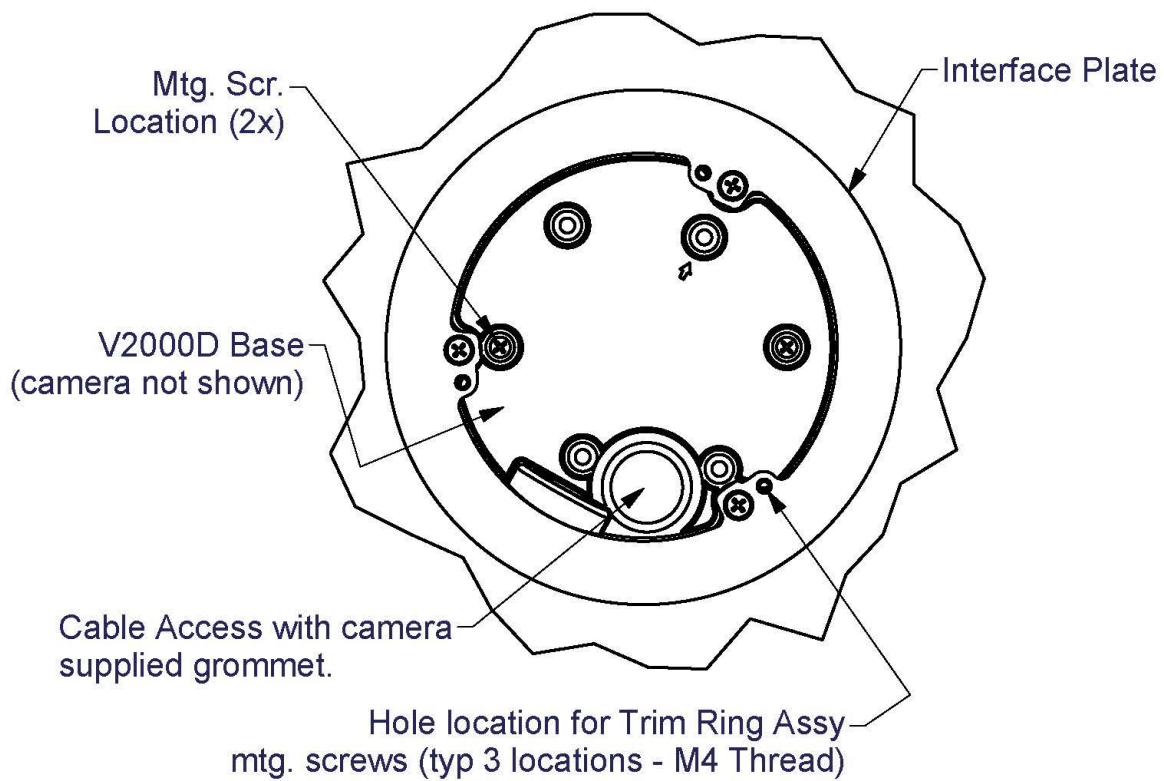
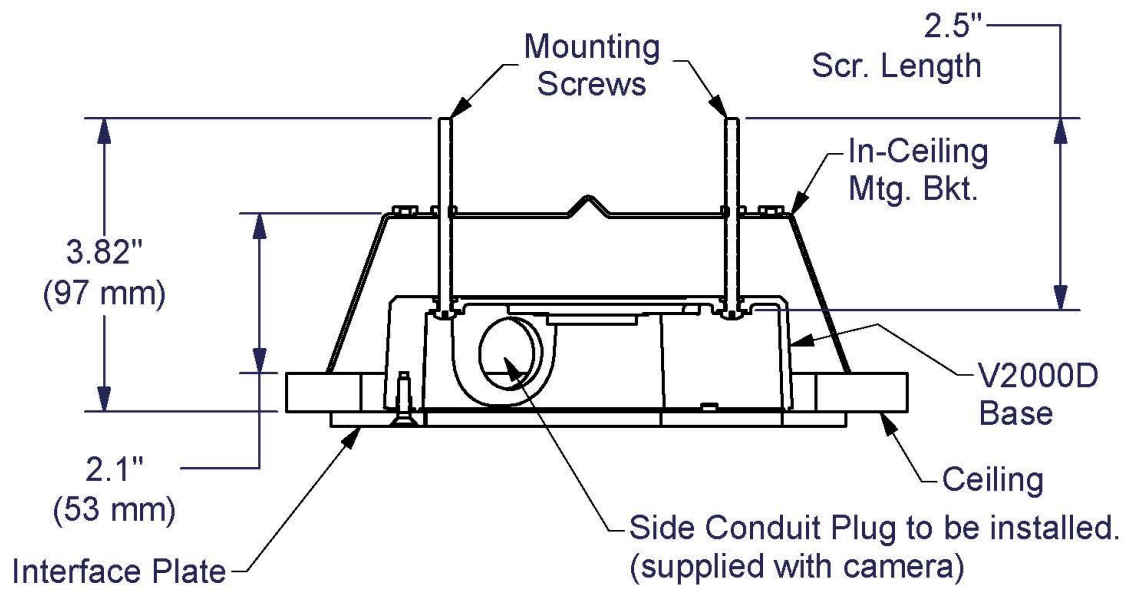


Figure 3
V2000D-ICH Installed Position

Vicon Standard Equipment Warranty

Vicon Industries Inc. (the "Company") warrants your equipment to be free from defects in material and workmanship under Normal Use from the date of original retail purchase for a period of three years, with the following exceptions:

1. Access Control System Components: Two year from date of original retail purchase.
2. Uninterruptible Power Supplies: Two years from date of original retail purchase.
3. For PTZ cameras, "Normal Use" excludes prolonged use of lens and pan-and-tilt motors, gear heads, and gears due to continuous use of "autopan" or "tour" modes of operation. Such continuous operation is outside the scope of this warranty.
4. Any product sold as "special" or not listed in Vicon's commercial price list: One year from date of original retail purchase.

NOTE:

- If the product is to be used outdoors or in dusty, humid, or other hostile environments, it must be suitably protected.
- Camera products must be protected, whether in use or not, from exposure to direct sunlight or halogen light as the light may damage the camera image sensor. This applies to both indoor and outdoor use of the cameras.
- Failure to comply with any of the aforementioned requirements will invalidate this Limited Hardware Warranty.

Date of retail purchase is the date original end-user takes possession of the equipment, or, at the sole discretion of the Company, the date the equipment first becomes operational by the original end-user.

The sole remedy under this Warranty is that defective equipment be repaired or (at the Company's option) replaced, at Company repair centers, provided the equipment has been authorized for return by the Company, and the return shipment is prepaid in accordance with policy. Repaired or replacement hardware will be warranted for the remainder of the original Warranty Period or ninety (90) days, whichever is longer. When a product or part is exchanged the replacement hardware becomes the property of the original purchaser and all hardware or part thereof that is replaced shall become the property of Vicon.

The warranty does not apply (a) to faulty and improper installation, maintenance, service, repair and/or alteration in any way that is not contemplated in the documentation for the product or carried out with Vicon consent in writing, operation adjustments covered in the operating manual for the product or normal maintenance, (b) to cosmetic damages, (c) if the product is modified or tampered with, (d) if the product is damaged by acts of God, misuse, abuse, negligence, accident, normal wear and tear and deterioration, improper environmental conditions (including, but not limited to, electrical surges, water damage, chemical exposure, an/or heat/cold exposure) or lack of responsible care, (e) if the product has had the model or serial number altered, defaced or removed, (f) to consumables (such as storage media or batteries) (g) to products that have been purchased "as is" and Vicon the seller or the liquidator expressly disclaim their warranty obligation pertaining to the product, (h) to any non-Vicon hardware product or any software (irrespective of packaged or sold with Vicon hardware product) and Vicon products purchased from an unauthorized distributor/reseller, (i) to damage that occurs in shipment or (j) to damages by any other causes not related to defective design, workmanship and/or materials.

The warranty for the products shall run from Vicon to End User customers only (including product purchased through authorized partners and resellers). Vicon is not obligated under any circumstances to honor warranties on product(s) purchases from internet auction sites including eBay, uBid or from any other unauthorized resellers. Except as explicitly provided herein, Vicon disclaims all other warranties, including the implied warranties of fitness for a particular purpose and merchantability.

Software supplied either separately or in hardware is furnished on an "As Is" basis. Vicon does not warrant that such software shall be error (bug) free. Software support via telephone, if provided at no cost, may be discontinued at any time without notice at Vicon's sole discretion. Vicon reserves the right to make changes to its software in any of its products at any time and without notice.

The Warranty and remedies provided above are exclusive and in lieu of all other express or implied warranties including, but not limited to, the implied warranties of merchantability or fitness for a particular purpose. Certain jurisdictions do not allow the exclusion of implied warranties. If laws under such jurisdictions apply, then all express and implied warranties are limited to the warranty period identified above. Unless provided herein, any statements or representations made by any other person or firm are void. Except as provided in this written warranty and to the extent permitted by law, neither Vicon nor any affiliated shall be liable for any loss, (including loss of data and information), inconvenience, or damage, including, but not limited to, direct, special, incidental or consequential damages, resulting from the use or inability to use the Vicon product, whether resulting from breach of warranty or any other legal theory. Notwithstanding the foregoing, Vicon total liability for all claims under this warranty shall not exceed the price paid for the product. These limitations on potential liabilities have been an essential condition in setting the product.

No one is authorized to assume any liability on behalf of the Company, or impose any obligations on it in connection with the sale of any Goods, other than that which is specified above. In no event will the Company be liable for indirect, special, incidental, consequential, or other damages, whether arising from interrupted equipment operation, loss of data, replacement of equipment or software, costs or repairs undertaken by the Purchaser, or other causes.

This warranty applies to all sales made by the Company or its dealers and shall be governed by the laws of New York State without regard to its conflict of laws principles. This Warranty shall be enforceable against the Company only in the courts located in the State of New York.

The form of this Warranty is effective March 22, 2019.

THE TERMS OF THIS WARRANTY APPLY ONLY TO SALES MADE WHILE THIS WARRANTY IS IN EFFECT. THIS WARRANTY SHALL BE OF NO EFFECT IF AT THE TIME OF SALE A DIFFERENT WARRANTY IS POSTED ON THE COMPANY'S WEBSITE, WWW.VICON-SECURITY.COM. IN THAT EVENT, THE TERMS OF THE POSTED WARRANTY SHALL APPLY EXCLUSIVELY.



VICON INDUSTRIES INC.

For office locations, visit the website: vicon-security.com

