

CPM-L Pendant Mount

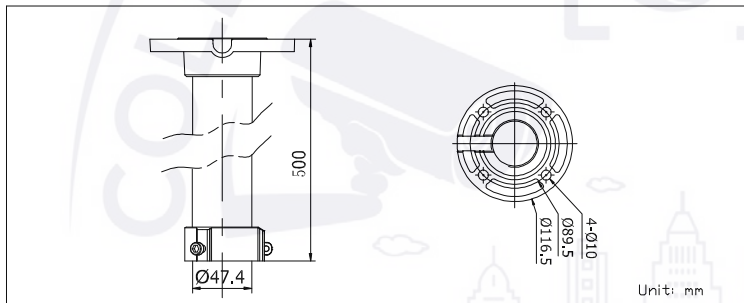


CPM-L	
	Pendant mount
Color	Hikvision white
Feature	500 mm pendant mount
Material	Aluminum alloy
Dimension	Φ116.5 mm × 500 mm (4.6" x 19.68")
Weight	1200 g (2 lbs 10 ozs)

Key Features

- For Hikvision Pendant Caps
- Safety Rope for Secure Installation
- Waterproof with Rubber Blanket Design
- Wire Outlet Hole

Dimensions



The Hikvision CPM-L PTZ Long Ceiling Mount Pole is an essential accessory for any CCTV camera installation. This high-quality ceiling mount pole comes with an elegant and robust design. It is made of stainless steel and is an ideal accessory for the installation of CCTV cameras.

The mount pole features a pendant cap safety rope that allows for secure installation. This ensures that the camera remains firmly in place and is safe from any falling debris. The waterproof surface of the pole allows for a reliable installation, and with its rubber blanket design, the pole can also provide a secure fit with other CCTV cameras.

The pole also features a wire outlet hole, so you can easily connect the camera to the other equipment. This hole can also be used to provide a secure fit for the cable running through it. Moreover, the pole also comes with a cable cover, which helps to protect the cables from dirt, dust, and other debris.

Distributed By

Collsam Distributions; Inc.

Sales: (951) 282-8707 sales@Collsam.com

Support: (213) 210-5744 support@Collsam.com

Website: www.Collsam.com

