

Hanging Adaptor

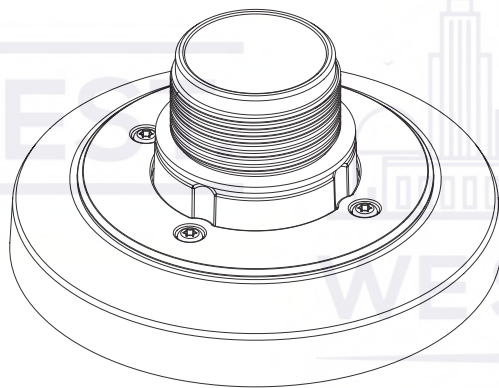
SBP-120HMW
SBP-140HMW
SBP-160HMW1
SBP-180HMW1
SBP-200HMW

 Hanwha Vision

Installation Precautions

- Make sure that the installation place can endure at least 4 times of the total weight of the Hanging Adaptor, Camera, and Wall/Ceiling/Parapet Mount.
- The Hanging Adaptor can be also connected to 1 1/2" PF screw-thread pipe as well as to the Wall/Ceiling/Parapet Mount.

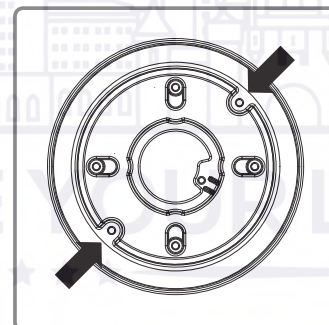
Package



SCREWS (4EA)

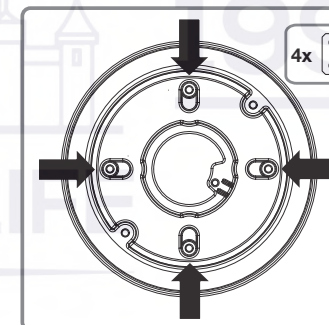
Installation

SBP-120HMW
Ø 110~120 (mm)



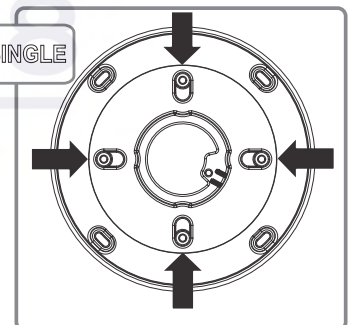
1-2

SBP-140HMW
Ø 121~140 (mm)



4x SINGLE

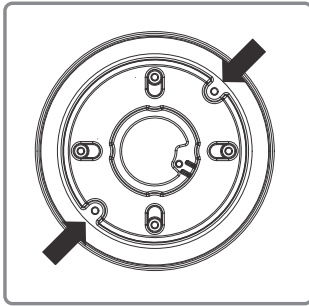
SBP-160HMW1 / 180HMW1 / 200HMW
Ø 141~160 / 161~180 / 181~200 (mm)



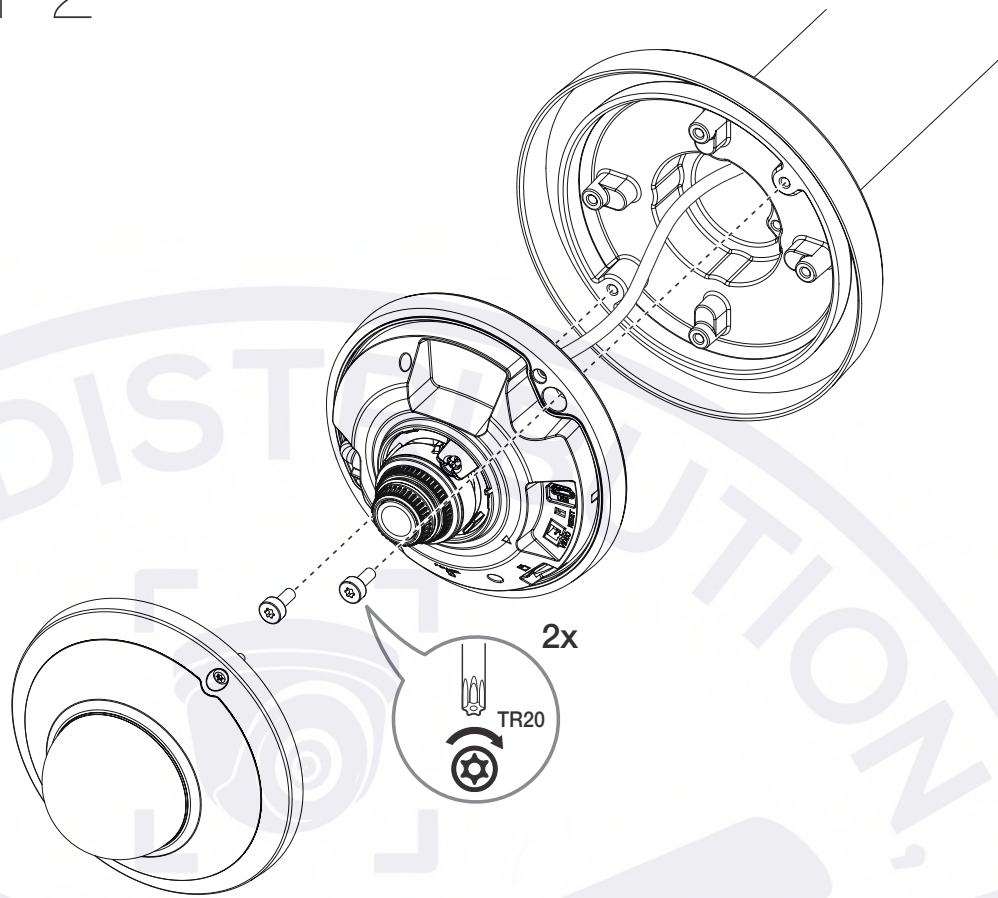
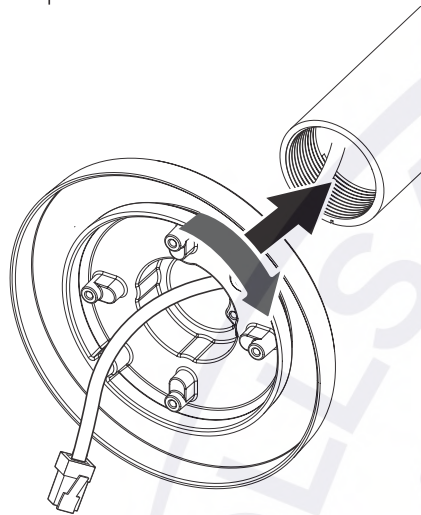
2-2

SBP-120HMMW

1-2



1-1



2x

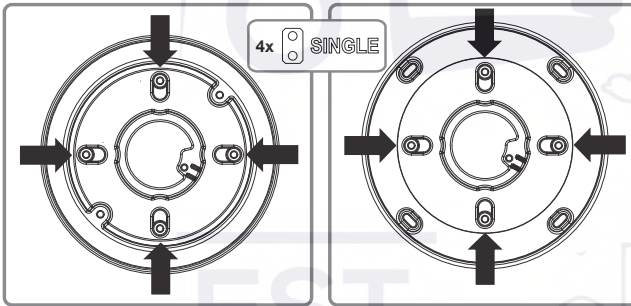
TR20

SBP-140HMMW

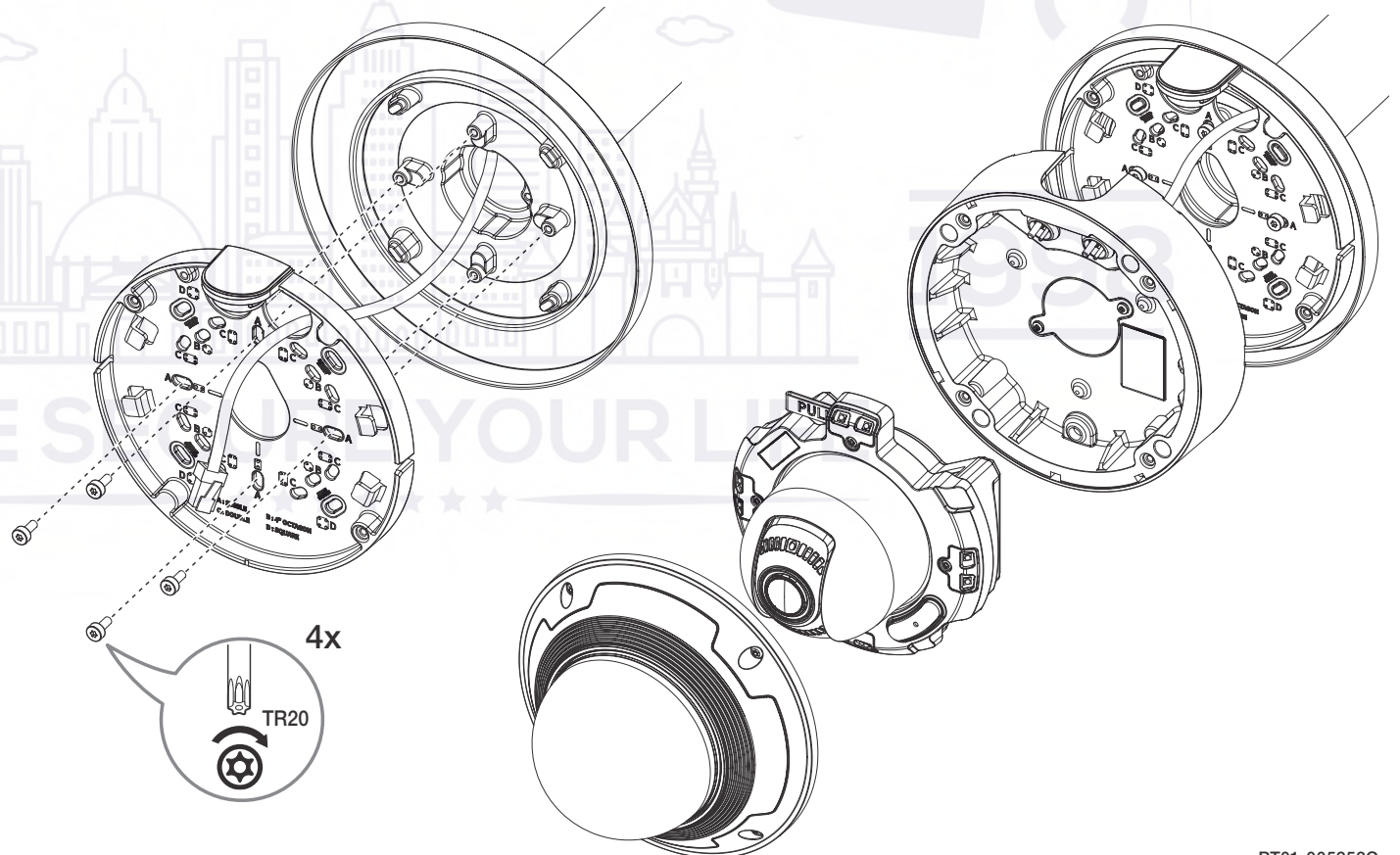
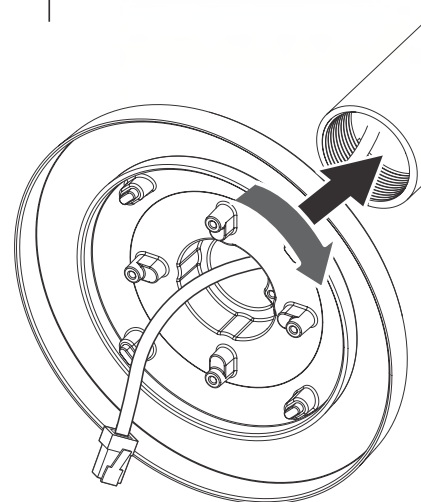
SBP-160HMMW1 / 180HMMW1 / 200HMMW

2-2

2-3



2-1



4x

TR20