



FEATURES

Compatible PTZ Models

- TPT IR-A1230
- TPT A1230
- NPT D20H20
- NIP D20H2012
- NIP D20H3012
- NPT NP312-OD
- NIP NP312-IR

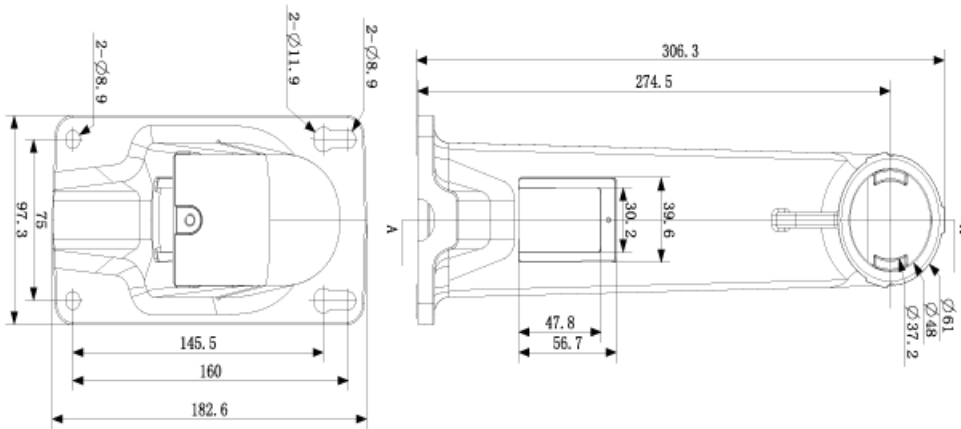
Product Features

- Aluminum alloy material with surface spray treatment
- General design for indoor/outdoor
- Better water proof design
- With safety rope, the assembling is safer and more convenient

SPECIFICATIONS

Color	White
Feature	Suitable for speed dome pendent mounting
Material	Aluminum alloy
Dimension	97x182x305mm

DIMENSIONS



unit : mm