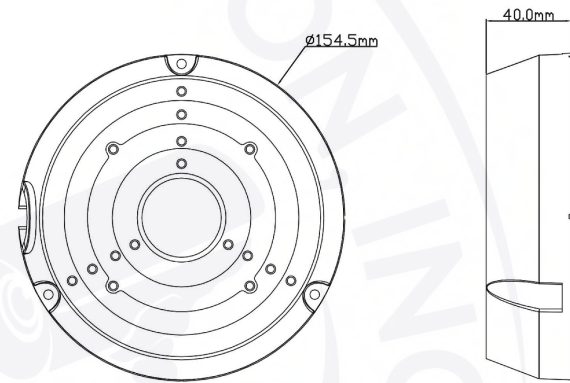


## CM-JB01-C Junction Box

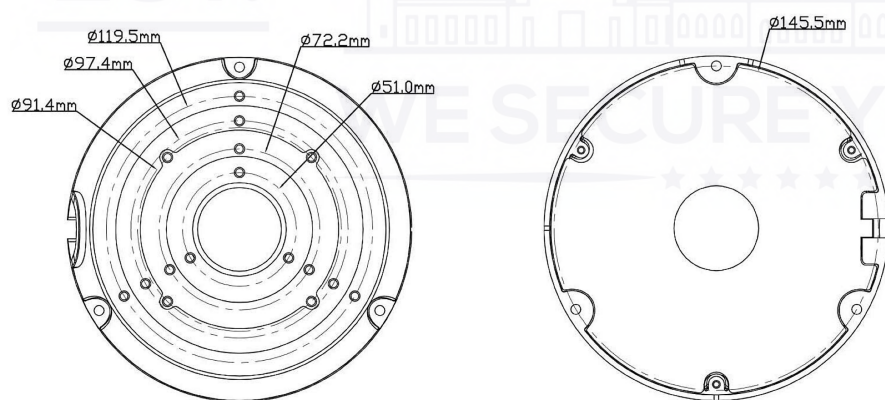


- Compatibility: NIU C, NIB C, TIR C, NIR C Eyemax Cameras
- Material: Aluminum Alloy
- Features: Surface Spray Treatment, Cable Collection, IP65 Rated, Wall or Ceiling
- Mountable, Dust-proof Design
- Outdoor or Indoor Security Surveillance
- Suitable for Commercial or Residential Purposes
- Durable and Corrosion-resistant
- Easy Installation and Maintenance
- Compact Design for Versatile Setup
- IP65 Rated for All-Weather Protection

The CM-JB01-C Junction box is an ideal solution for users of the Eyemax NIU C, NIB C, TIR C, and NIR C Cameras who are looking for a reliable way to collect their camera cables and ensure their protection. Thanks to its superior materials and construction and its dust-proof design, users can enjoy the durability and performance of this junction box for years to come.



For an attractive, convenient and secure way to collect cables, the CM-JB01-C Junction box from Eyemax Cameras is the perfect solution. It is a durable, reliable and easy-to-install product that will keep the cables in great condition for years to come.



The CM-JB01-C Junction box from Eyemax cameras is the perfect accessory for NIU C, NIB C, TIR C, and NIR C cameras users. It is made of premium-grade aluminum alloy, with a spray treatment on the surface for extra protection. CM-JB01-C offers great versatility in terms of installation as it can be mounted on walls or ceilings, with inlets on the bottom and one side.

### Distributed By

Collsam Distributions; Inc.

Sales: (951) 282-8707 sales@Collsam.com

Support: (213) 210-5744 support@Collsam.com

Website: www.Collsam.com

