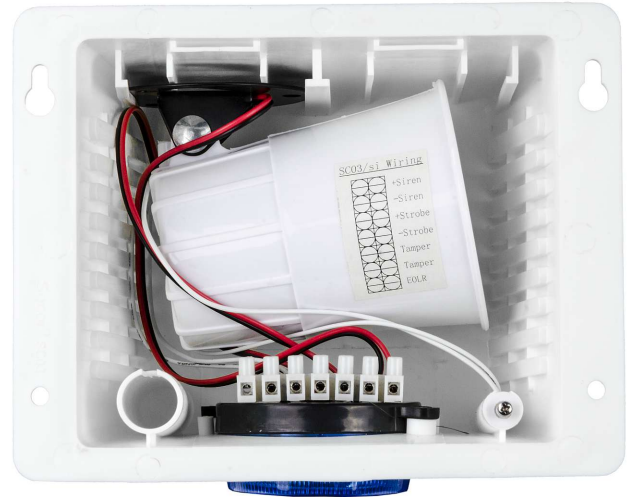


Outdoor Strobe Siren for any Security System / SPL(1m)110dB / One tone/Six tone

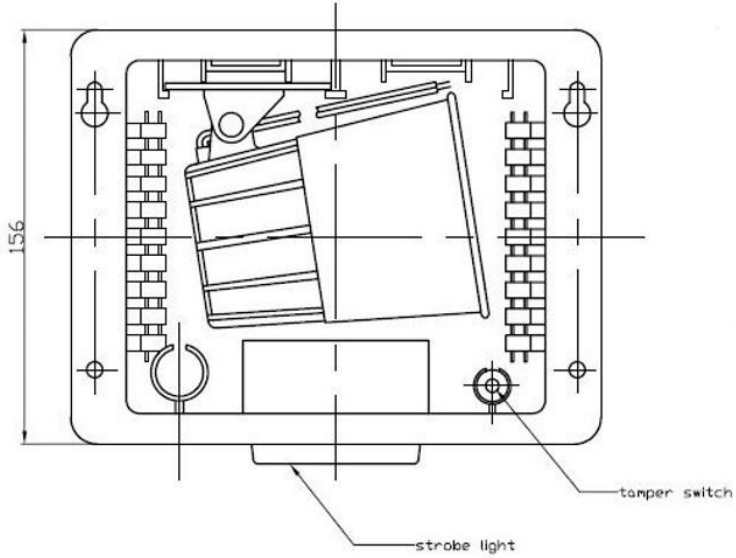
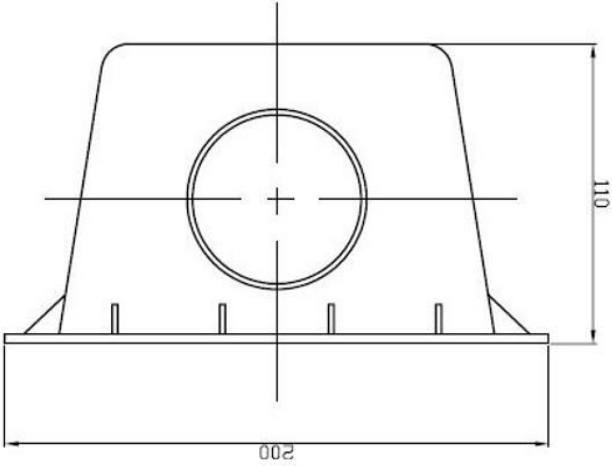


SPECIFICATIONS

Operation Voltage	12V DC (Nominal) □9V DC (Min) - 15V DC (Max.) With reverse polarity protection
Power	20W
S.P.L. (at one meter)	110 ± 3 dB (at 12V DC)
Terminal block	Siren/Horn/Strobe/Tamper/Spare
Flash frequency	60 ~ 80times/mintue
Tone	One tone/Six tone
Operation Temperature	14°F ~ 140°F(-10°C ~ 60°C) Max. (10 minutes)
Storage Temperature	-40°F ~ 176°F(-40°C ~ 80°C) Max.
Housing Material (A.B.S.)	U/L recognized 105°C (U/L 94HB)
Length of Cord (24AWG)	400mm±20mm. (UL1007 AWG24)

Outdoor Strobe Siren for any Security System / SPL(1m)110dB / One tone/Six tone

DIMENSIONS



unit : mm