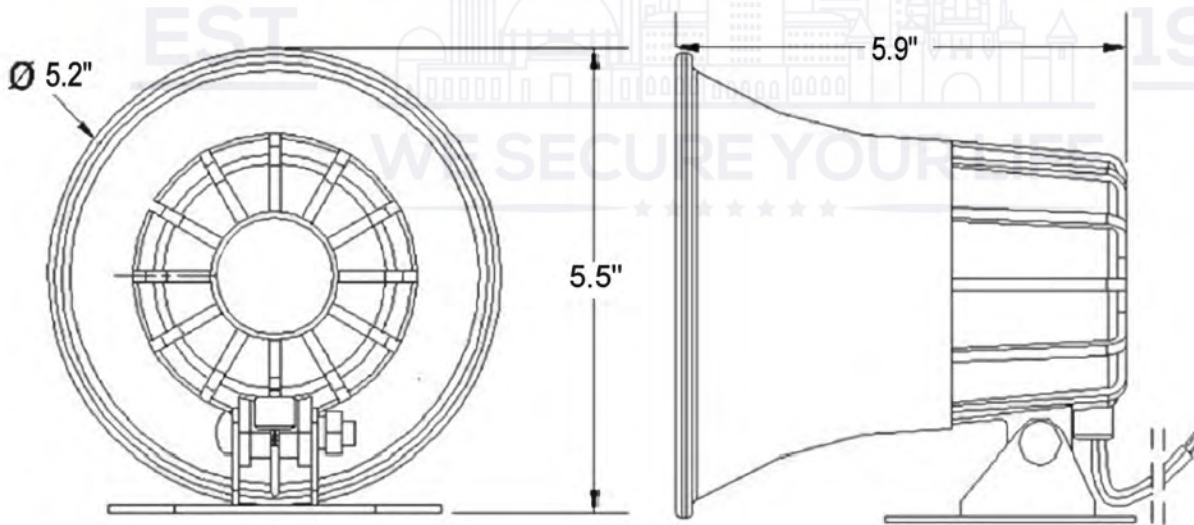




The A-BWS-46 Alarm Strobe Siren is an affordable and reliable alarm siren that can be used for various applications. It is designed to be weatherproof and operate in extreme temperatures. It is also easy to install and remove and is UL recognized for safety. Additionally, it has a reverse polarity protection and a 1200mA impedance coil for added reliability. With its loud and powerful siren sound, it is the perfect addition to any home or business security system.

#### A-BWS-46 Alarm Strobe Siren

- Operation Voltage: 12V DC (Nominal), 9V DC (Min)—15V DC (Max.), with Reverse Polarity Protection.
- Output Power: 30W.
- S.P.L.: 115 ± 5 dB (at 12V DC).
- Coil Impedance: 1200mA.
- One tone.
- Operation Temperature: -4 °F (-20 °C) ~ 140 °F (60 °C) Max. (10 minutes).
- Storage Temperature: -86 °F (-65.56 °C) ~ 158 °F (70 °C) Max.
- Housing Material (A.B.S.): U/L recognized 221 °F (105 °C)(U/L 94HB).
- Length of Cord: 15" (UL1007) 24AWG.



#### Distributed By

Collsam Distributions; Inc.

Sales: (951) 282-8707 sales@Collsam.com

Support: (213) 210-5744 support@Collsam.com

Website: www.Collsam.com

