



**DEE1010B**

**Video Intercom Extension Module**

**User's Manual**

V1.0.2

# 1 Introduction

The video intercom (VDP) extension module offers connections between a video intercom outdoor station (VTO) and door unlock options, a door open button and connection to an RS485 BUS for access card swipe input. The module fits inside an 86-type gang box for a secure installation. The module has one channel for door sensor input, one channel for exit button input, one channel for alarm input, one channel for door lock output, with a choice of Normally Open or Normally Closed options.

## 1.1 Typical Networking Diagram

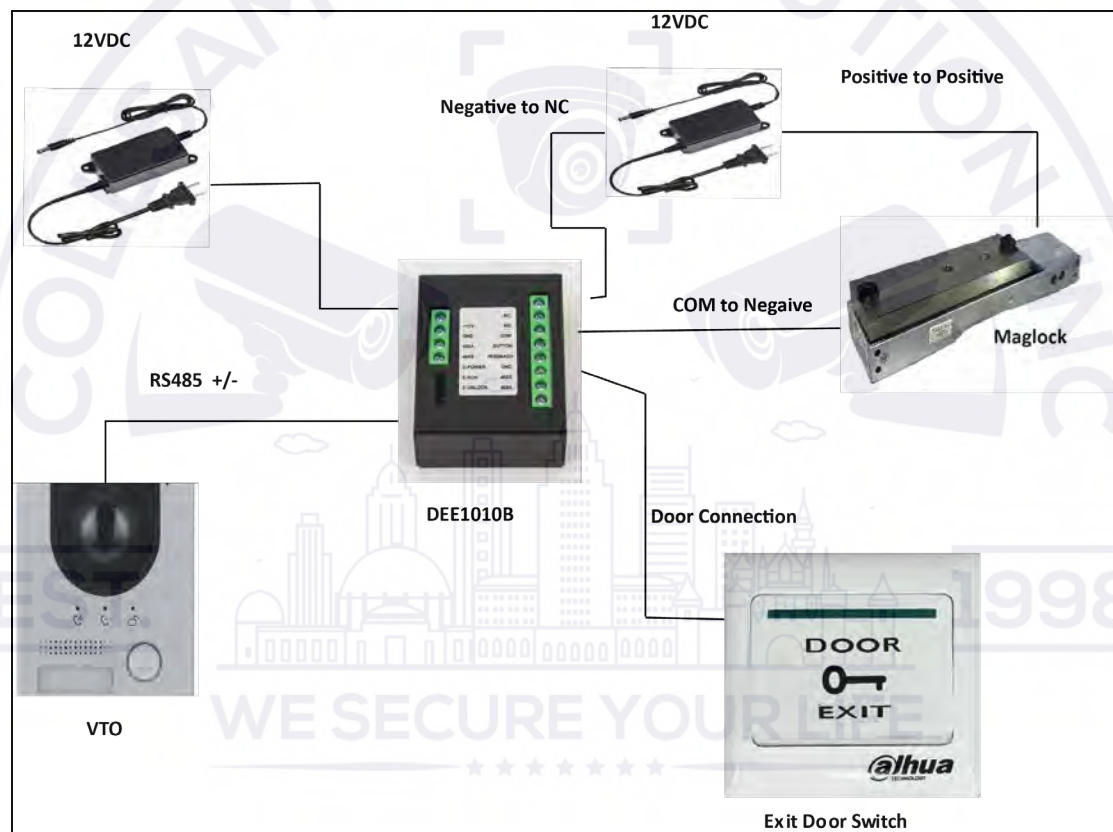


Figure 1-1

## 2 Connections



Figure 2-1

No.	Component Name	Note
1	+12V	Power
2	GND	GND
3	485A	Host RS485A
4	485B	Host RS485B
5	POWER	Power indicator
6	RUN	Operation indicator
7	UNLOCK	Unlock indicator
8	NC	Lock NO
9	NO	Lock NC
10	COM	Lock public end
11	BUTTON	Lock unlock button
12	BACK	Lock door feedback
13	GND	GND
14	485B	Card reader RS485B
15	485A	Card reader RS485A

### 3 Interface Diagram

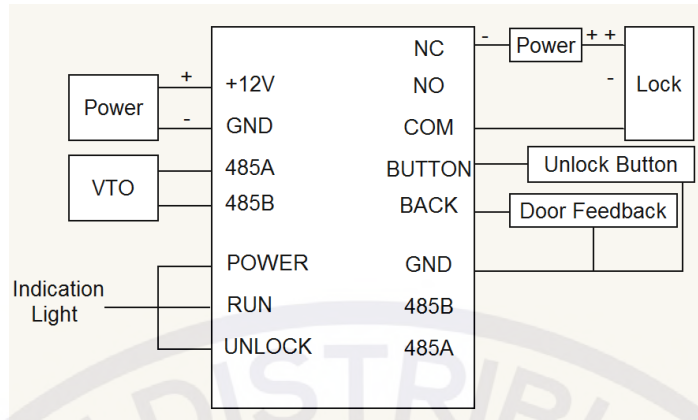


Figure 3-2

### 4 FAQ

- Door does not open door after a card swipe.
  - 1 Report the issue to the management center. The issue may be due to
    - (a) Card authorization has expired.
    - (b) Card is not authorized to open the door.
    - (c) Access is not allowed during the time.
  - 2: Door sensor is damaged.
  - 3: Card reader has poor contact.
  - 4: Door lock or device is damaged.
- The device does not communicate with the management center.
  - 1: Check the RS485 wire connection.
- Door does not open when pressing the open button
  - 1: Check the connection between the button and the device.
- The lock remains unlocked after the door opens.
  - 1: Check if the door is closed.
  - 2: Check if door sensor is connected properly. If there is no door sensor, check with the management center.
- Another issue is not listed here.
  - 1: Contact technical support.

## 5 Appendix 1 Technical Specifications

Model	DEE1010B
<b>Access Control</b>	
Lock NO Output	Yes
Lock NC Output	Yes
Open Button	Yes
Door Status Detection	Yes
<b>Operating Mode</b>	
Input	Card Swipe (card reader and unlock button required)
<b>Specifications</b>	
Power Supply	12 VDC, $\pm 10\%$
Power Consumption	Standby: $\leq 0.5$ W Working: $\leq 1$ W
Environmental	$-10^{\circ}$ C to $+60^{\circ}$ C ( $14^{\circ}$ F to $+140^{\circ}$ F) 10% to 90% Relative Humidity
Dimensions (L x W x H)	58.0 mm x 51.0 mm x 24.50 mm (2.28 in. x 2.0 in. x 0.96 in.)
Net Weight	0.56 kg (1.23 lb.)

**Note:**

- This manual is for reference only. Slight differences may be found in the actual product.
- All the designs and software are subject to change without prior written notice.
- All trademarks and registered trademarks are the properties of their respective owners.
- Please visit our website or contact your local service engineer for more information.

**Distributed By**

Collsam Distributions; Inc.

Sales: (951) 282-8707 sales@Collsam.com

Support: (213) 210-5744 support@Collsam.com

Website: www.Collsam.com

