

DH-LR2218-16ET-240

18-Port Managed Switch with 8-Port ePoE & 8-Port PoE



* The parameters and datasheets below can only be applied to V2.0 (version 2.0)

- Layer-two web managed ePoE switch.
- Three self-adaptive transmission modes which are IEEE, E100 and E10.
- Long distance PoE transmission up to 800 m with ePoE technology.
- Both twisted-pair transmission and coaxial cable transmission.
- IEEE802.3af, IEEE802.3at and Hi-PoE compliant.
- PoE management, Green PoE, Legacy Support.
- Manage through iLinksView, web client, and SNMP softwares.



System Overview

This intuitive layer-2 commercial switch readily adapts to fluctuations in the power consumption of terminal devices, making it easy to use. It supports ePoE long distance transmission, PoE watchdog, green PoE and power consumption management.

Functions

ePoE

Thanks to the ePoE transmission technology, the transmission distance can be up to 800 m.

Eight-pin PoE

Supports 8-pin simultaneous power supply (1/2/4/5 positive, 3/6/7/8 negative). Signal lines and idle lines supply power at the same time. Compatibility with IPC is enhanced. Cable loss is reduced. Loading capacity is increased.

Intelligent PoE

Provides power consumption control and real-time monitoring to guarantee priority of power supply for important ports and prevent malfunctioning caused by power consumption change. Supports ultra wide power supply, able to adapt to IPC power fluctuation.

Hi-PoE 60W (Orange Port)

In addition to the IEEE802.3af and IEEE802.3at standards, orange port also supports a maximum power output of 60W for powering high-power devices.

Scene

The Device is applicable for use in different scenarios, including homes, offices, small malls and server farms.

Specification

Hardware

Included Power Adapter	Yes
PoE	Yes
Ethernet Port	16
Ethernet Port Speed	10/100 Mbps
Ethernet Port Uplink Speed	10/100/1000 Mbps
Optical Port Uplink Speed	1 Gbps
Description of Function Slots	Port1-16: 16 × RJ-45 10/100 Mbps; Port17-18: 2 × RJ-45 10/100/1000 Mbps; Port17-18: 2 × SFP 1000 Mbps (combo)
Debugging	1 × Console port
Reset Button	1
Power Supply	Built-in power supply: 100-240 VAC, 50/60 Hz, 6 A
Operating Temperature	-10 °C to +55 °C (+14 °F to +131 °F)
Operating Humidity	5%-95% (RH)
Storage Temperature	-20 °C to +70 °C (-4 °F to +158 °F)
Storage Humidity	5%-95% (RH)
Power Consumption	Full load: 240 W

Performance

Layer	Layer 2
Management Type	Yes
Switching Capacity	8.8 Gbps
Packet Forwarding Rate	5.36 Mpps
Packet Buffer Size	2.75 Mbit
MAC Table Size	4K
VLAN Number	31

ePoE Switch | DH-LR2218-16ET-240

Communication Standard	IEEE802.3; IEEE802.3u; IEEE802.3X; IEEE 802.3ab; IEEE 802.3z
Feature	
PoE Protocol	IEEE802.3af; IEEE802.3at; Hi-PoE
PoE Power	Port 1-2 ≤60 W; Port 3-16 ≤30 W; Total ≤240 W
PoE Power Consumption Management	PoE power consumption management; PoE power on/off; Turns off PoE if overload is detected; Green PoE
PoE Pin Assignment	1, 2, 4, 5 (V+), 3, 6, 7, 8 (V-)
ePoE	Yes
Spanning Tree Protocol	STP/RSTP
VLAN Function	Port-based VLAN
Link Aggregation	Static link aggregation LACP
IEEE 802.3x Flow Control	Yes
Multicast	IGMP Snooping v1/v2
DHCP Function	DHCP Client
Security	Multi-level user management and password; protection; 802.1X; RADIUS; Port isolation
QoS/ACL	SP/WRR queue scheduling
Equipment Management	SNMPv1/v2/v3; System logs, and multi-level alarms; LLDP
General	
Statics Protection	Air discharge: 8 kV; contact discharge: 6 kV
Lighting Protection	Common mode: 4 kV; differential mode: 2 kV
Net Weight	3.14 kg (6.92 lb)
Gross Weight	4.12 kg (9.08 lb)
Product Dimensions	440 mm × 300 mm × 44 mm (17.32" × 11.81" × 1.73") (L × W × H)
Packaging Dimensions	565 mm × 530 mm × 415 mm (22.24" × 20.87" × 16.34") (L × W × H)
Casing Material	Sheet metal
Installation	Desktop mount; rack mount
Certifications	CE; FCC

Transmission Performance:

ePoE Power Supply Specifications (CAT)

Cable Length (m)	Communication Bandwidth (Mbps)	PoE Max Load Capacity (W)	Hi-PoE Max Load Capacity (W)	Network Operating Mode
100	100	25.5	53	IEEE/E100
200	100	25.5	47	E100
300	100	25.5	32	E100
400	10	23	26	E10
500	10	20	20	E10
800	10	13	13	E10

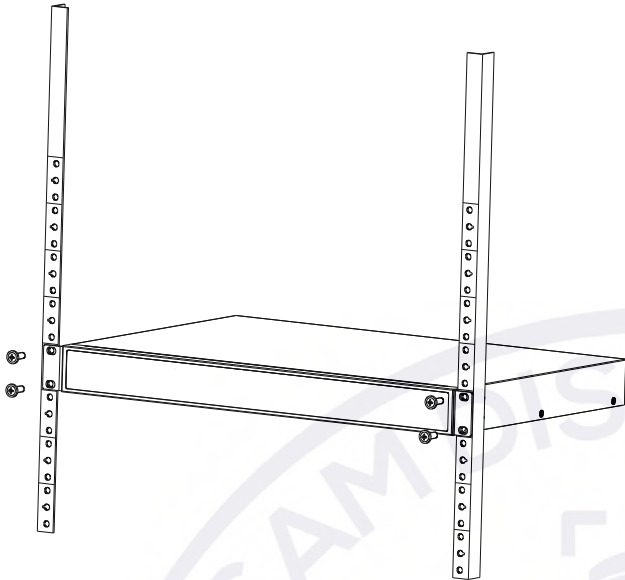
ePoE switch supply voltage 53V.
CAT6, max. DC resistance < 10Ω/100m.

ePoE Power Supply Specifications (RG59 Coaxial Cable)

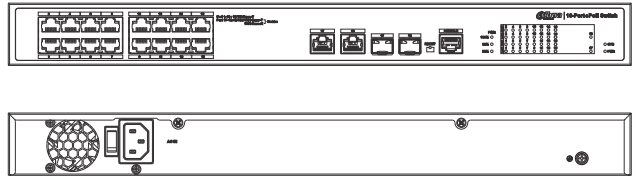
Cable Length (m)	Communication Bandwidth (Mbps)	PoE Max Load Capacity (W)	Hi-PoE Max Load Capacity (W)	Network Operating Mode
100	100	25.5	52	IEEE/E100
200	100	25.5	48	E100
300	100	25.5	30	E100
400	100	20	23	E100
500	10	16	16	E10
800	10	10	10	E10
1000	10	8	8	E10

ePoE switch supply voltage 53V.
RG-59, max. DC resistance < 5Ω/100m.

Installation



Panels



Dimensions (mm[inch])



Rev 002.000 © 2022 Dahua. All rights reserved. Design and specifications are subject to change without notice. The images, specifications and information mentioned in the document are only for reference, and might differ from the actual product.