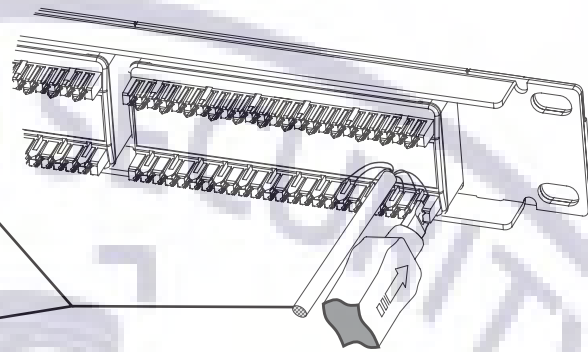


Front View

Wiring Label

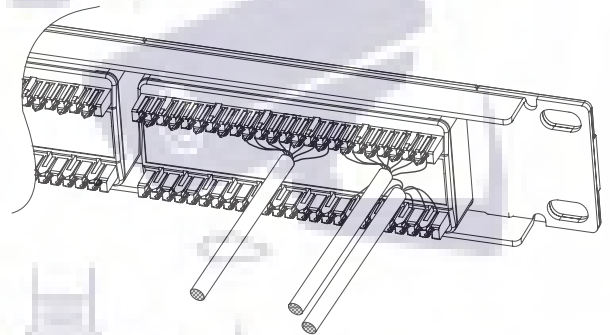


IDC Terminals	TIA / EIA T568A	TIA / EIA T568B
PIN 1	White/Green	White/Orange
PIN 2	Green	Orange
PIN 3	White/Orange	White/Green
PIN 6	Orange	Green
PIN 4	Blue	Blue
PIN 5	White/Blue	White/Blue
PIN 7	White/Brown	White/Brown
PIN 8	Brown	Brown

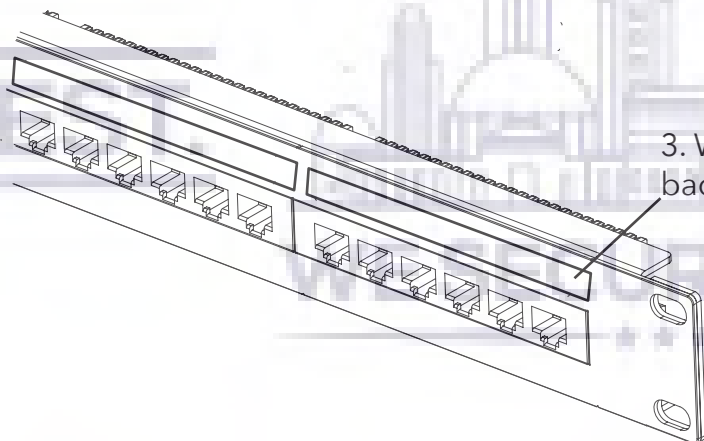


1. Seat each wire into position according to wiring table.

2. Terminate each wire with a 110 punch down tool.



3. Write description on label and place the clear cover back on to finish installation.



- Bold numbering identifies ports on the front, which are organized in groups of 6.
- High-density 48 port, 2U design makes economical use of your space.
Color Coded TIA/EIA 568A (international) and 568B (AT&T standard) wiring diagram are available for reference and easy installation.
- No need to buy additional mounting hardware as the necessary tie wraps and mounting screws included in the package. (4 x M6 Cage Nuts;4 x M6 Screws;4 x M6 Washers)