

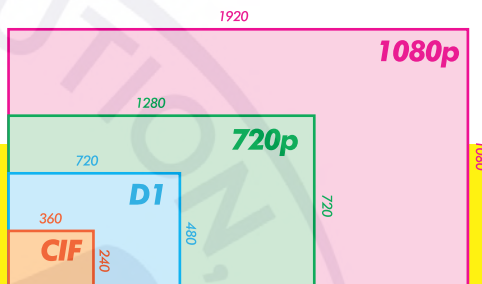


FULL HD OVER COAX USE YOUR EXISTING COAX CABLE

HDSDI

WALL MOUNT PACK ACCESSORIES

- Manual
- Bracket Sealing Rubber Pad
- Video & Data Cable
- L Shape Star Wrench
- Mounting Parts



WALL MOUNT
XPT 1330-W

3 MEGA PIXEL
Up To 1080p

x22 MORE COVERAGE than
Conventional CCTV Camera

1080P IN/OUTDOOR PTZ WITH HIGH SPEED x360 ZOOM



CEILING MOUNT
XPT 1330-C

x30 OPTICAL ZOOM
x360 TOTAL ZOOM

CEILING MOUNT PACK ACCESSORIES

- Manual
- Bracket Sealing Rubber Pad
- Video & Data Cable
- L Shape Star Wrench
- Mounting Parts



MADE IN KOREA



FULL HD OVER COAX USE YOUR EXISTING COAX CABLE

HDSDI

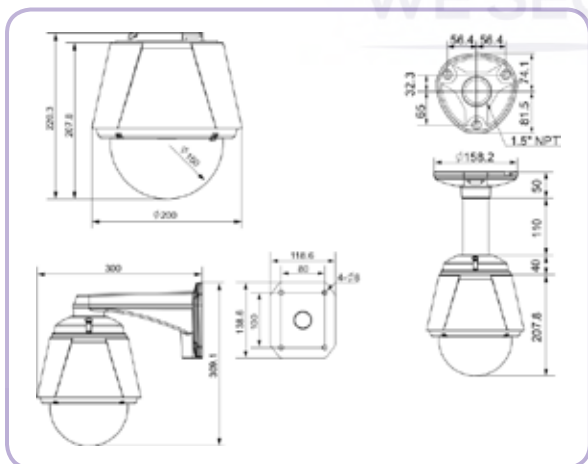
x30 OPTICAL ZOOM
x360 TOTAL ZOOM



KEY FEATURES

- 3.0 Mega-Pixel Resolution PTZ
- x360 Zoom Control (Optical x30 / Digital x12)
- True Day & Night with ICR (IR Cut Filter)
- WDR (Wide Dynamic Range)
- NR (Noise Reduction) / Image Stabilization Function
- Minimum Illuminance (0.8 Lux @ Color / 0.1 Lux @ B/W)
- Super Speed (500°/SEC.) with 360° Endless Pan Rotation
- The Shortest Path with Vector Drive Technology
- Micro Control (0.05°/SEC.) with Micro Stepping Control Technology
- Super Video Quality with RAW Video Data
- HD-SDI Standard Support (HDcctv V1.0 / 1.485Gb/s / SMPTE 292M)
- Simultaneous HD-SDI & Composite Output
- OSD(On-Screen Display) Menu with Password Function
- 8 Privacy Masks with Spherical Coordinates
- 8 Sets of Scheduler Function with Real Time Clock
- 255 Presets (46 Presets reserved for Hot Keys) 10 Swings / 4 Patterns / 8 Groups
- Frame Freeze Function
- Vandalproof / Weatherproof with Built-in Fan & Heater
- Waterproof (IP 67)

DIMENSIONS



XPT 1330-W / XPT 1330-C			
Camera	Image Sensor	6.49mm (1/2.8 Type) CMOS Sensor	
	Resolution	3M Pixels (2096 × 1561)	
	ISP	XDI-II	
	Zoom	Optical x30 & Digital x12	
	Focal Length	F1.6~5.0, f=4.3~129.0 mm	
	Gain Control	Auto / Low / Middle / High	
	Shutter Control	Auto / Manual (1/30 ~ 1/10,000 SEC.)	
	White Balance	Auto / ATW / One Push / Manual	
	Day & Night	Auto / Day / Night (ICR)	
	Minimum Illuminance	0.8 Lux (Color, AGC 30, Sens-up Off) / 0.1 Lux (B/W, AGC 30, Sens-up Off)	
	BLC	WDR / BLC / Off	
	Sens-up	Off / Auto (x2, x3, x4, ...x64)	
	NR (Noise Reduction)	3D-DNR (Off / Low / Middle / High)	
	Privacy Zone	8 Masks with Spherical Coordinate	
Image Stabilization	On / Off		
Pan/Tilt	Range	Pan : 360° (Endless) / Tilt : 90°	
	Pan/Tilt Speed	Preset : 500° / SEC. Manual : 0.05° ~ 360° / SEC. (Zoom Proportional) Swing : 10° ~ 180° / SEC.	
	Preset	255 Presets (46 Presets reserved for Hot Keys)	
	Pattern	4 Patterns [768 Commands (Approximate 5 Minutes) / 1 Pattern]	
	Swing	10 Swings	
	Group	8 Groups (MAX. 40 Actions with The Combination of Preset, Pattern and Swing)	
	Scheduler Function	8 Scheduler Functions with RTC (Real Time Clock)	
	Other Functions	Auto Flip, Auto Parking, Power-up Action & etc.	
	Video	Output	2 × BNC (HD-SDI and CVBS)
		HD-SDI Standard	HDcctv V1.0 / 1.485Gb/s / SMPTE 292M Resolution : 1080p30, 1080i60, 720p60/30
CVBS		1.0 Vp-p	
RTC (Real Time Clock)	YES (RTC Battery Backup Time : Approximate 2 Weeks)		
OSD	YES (English)		
Serial Port	Port	RS-485 for PTZ Control	
	Protocol	Pelco-D, Pelco-P Selectable	
Sensor / Alarm	Sensor Input	3 Inputs, Photo-Coupler Type, DC 5V~12V	
	Alarm Output	1 Output, Relay Output, MAX. Load DC 24V / 1.0A or AC 125V / 0.5A	
Physical	Mount Bracket	Wall Mount Bracket or Ceiling Mount Bracket	
	Dimension	Dome	∅150mm / ∅5.9"
		Wall Mount	200(∅) × 408(H) [mm] / 7.87"(∅) × 16.1"(H)
		Ceiling Mount	300 × 309(H) [mm] / 11.8" × 12.2"(H)
	Weight	Approximate 3.6 Kg / 7.9 Lbs with Wall Mount Bracket	
		Approximate 3.4 Kg / 7.5 Lbs with Ceiling Mount Bracket	
	Material	Dome : Poly Carbonate / Housing : Aluminum	
	Rated Power	Dual Power Support : DC 12V / 1.8A or AC 24V / 2.0A	
	Waterproof	IP 67	
	Fan	Always ON	
Heater	Operation Start from Internal Temperature 10 °C (50 °F)		
Operating Temp.	-30 °C ~ 50 °C (-34 °F ~ 122 °F)		

MADE IN KOREA

Specifications may change without a prior notice. All the images on the page are for illustrative purpose only. They may not represent actual products. All the rights for the registered trademarks are reserved for their respectable owners. Not responsible for any typographical errors.

Distributed By
Collsam Distributions, Inc.
Sales: (951) 282-8707 sales@Collsam.com
Support: (213) 210-5744 support@Collsam.com
Website: www.Collsam.com

