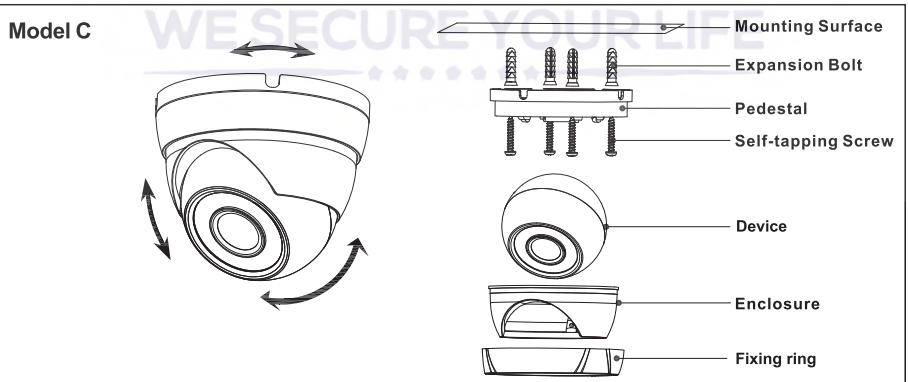
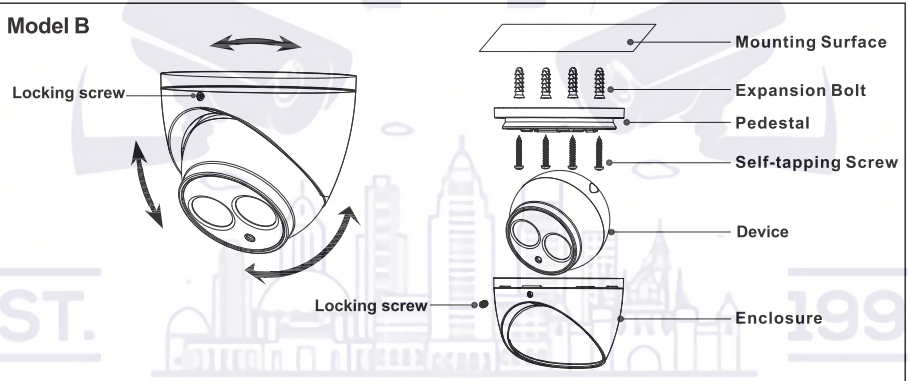
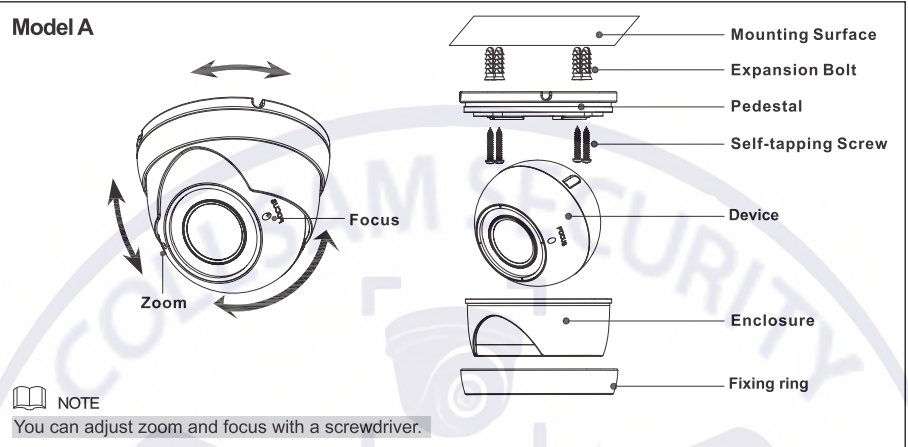


# Quick Installation Guide V1.0.0

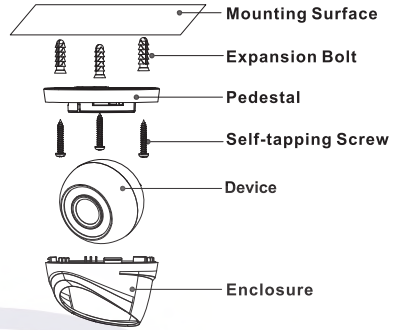
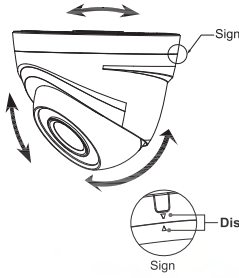


NOTE

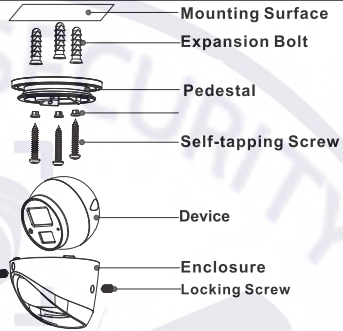
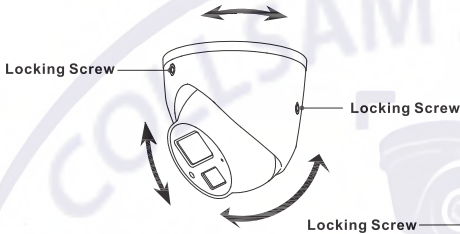
- Please make sure the mounting surface is strong enough to hold at least three times of the camera weight.
- For wooden mounting surface, expansion bolts are optional.



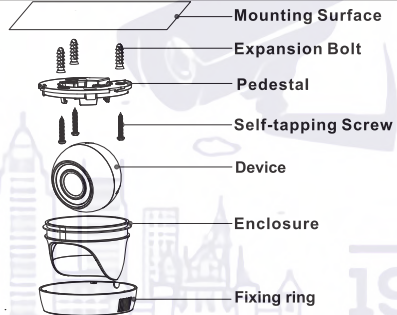
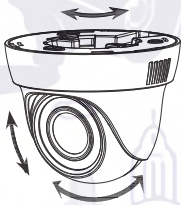
### Model D



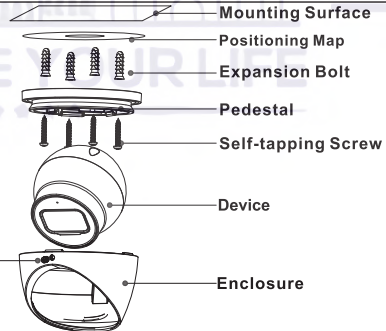
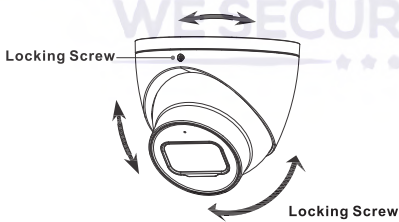
### Model E



### Model F



### Model G



### NOTE

This manual is for reference only. Please visit our website or contact your local service engineer for more information.

sales@collsam.com  
(951) 282-8707

[HTTPS://COLLSAM.COM](https://collsam.com)

Images May Not Reflect the Actual Product.

support@collsam.com

(213) 210-6744

Design and specifications are subject to change without notice.