

## DS-2CE19D3T-AIT3ZF

### 2 MP Outdoor Ultra-Low Light Bullet Camera



- 2 MP High Performance CMOS
- Up to 1080p Resolution
- Ultra-Low Light
- 2.7 mm to 13 mm motorized varifocal lens
- EXIR 2.0 up to 230 ft (70 m) IR Range
- Smart IR
- 120dB True WDR, 3D DNR
- Multiprotocol Output:  
TVI/AHD/CVI/ CVBS
- Up-the-Coax (HIKVISION-C)
- IP67 Protection

The Hikvision DS-2CE19D3T-AIT3ZF 2 MP Outdoor Ultra-Low Light Bullet Camera provides high definition analog output. TurboHD means that the analog signal can be sent over existing coaxial cable, eliminating the need to run new cables for high definition video.

EXIR 2.0 is Hikvision's proprietary IR extended range technology, which has a range of 230 feet (70 meters).

The 2.7 mm to 13 mm motorized varifocal lens is optimized for viewing angles that fit any situation. True 120 db WDR (Wide Dynamic Range) ensures that ideal images are captured regardless of the lighting conditions.

**Available models:**  
DS-2CE19D3T-AIT3ZF



# Specifications

DS-2CE19D3T-AIT3ZF

## Camera

Image Sensor	2.0 megapixel progressive scan CMOS
Signal System	NTSC
Video Frame Rate	1080p @ 30 fps
Resolution	1920 (H) × 1080 (V)
Minimum Illumination	Color: 0.005 lux @ (f/1.2, AGC on), 0 lux with IR
Shutter Speed	1/30 s to 1/50,000s
Lens	2.7 mm to 13.5 mm motorized varifocal lens
Horizontal Field of View	102° to 31°
Lens Mount	Ø14
Day/Night	IR cut filter
Angle Adjustment	Pan: 0° to 360°, tilt: 0° to 90°, rotate: 0° to 360°
Synchronization	Internal synchronization
WDR (Wide Dynamic Range)	>120 dB

## Menu

AGC	High/medium/low
D/N Mode	Auto/color/BW (black and white)
Image Mode	Standard/high-sat
BLC (Backlight Compensation)	Yes
WDR	Yes
3D DNR	Level 1 to 9
Language	English
Functions	Brightness, sharpness, 3D DNR, mirror, smart IR

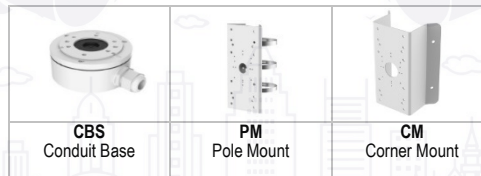
## Interface

Video Output	1 HD analog output
Switch Button	TVI/AHD/CVI/CVBS

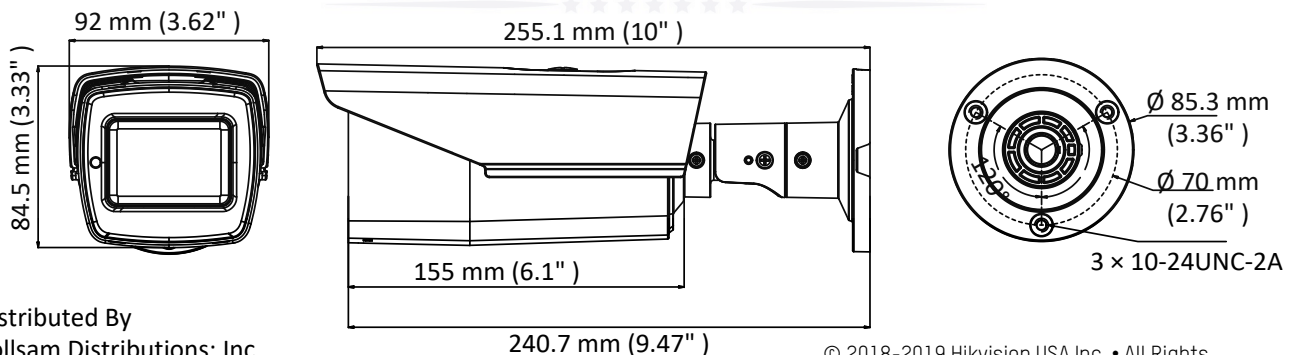
## General

Operating Conditions	-40° F to 140° F (-40° C to 60° C), humidity: 90% or less (non-condensation)
Power Supply	24 VAC ± 15%, 12 VDC ± 20%
Power Consumption	Maximum 9.7 W
Ingress Protection	IP67
Material	Front cover: metal, main body: plastic, bracket: metal
IR Range	Up to 230 ft (70 m)
Dimensions	3.33" × 3.62" × 10" (84.5 mm × 92 mm × 255.1 mm)
Weight	Approximately 1.53 lbs (695 g)

# Accessories



# Dimensions



Distributed By  
Collsam Distributions; Inc.  
40960 California Oaks Rd Suite 331  
Murrieta, Ca; 92562  
Tel: (951) 282-8707  
Support: (213) 210-5744  
Sales: sales@Collsam.com  
Support: support@Collsam.com  
Website: www.Collsam.com

© 2018-2019 Hikvision USA Inc. • All Rights Reserved • Specifications subject to change without notice.  
Hikvision USA Inc., 18639 Railroad Street, City of Industry, CA 91748, USA • Hikvision Canada, 4848 rue Levy, St-Laurent, Quebec, Canada, H4R 2P1 Tel: +1-909-895-0400 • Toll Free in USA: +1-866-200-6690 • E-Mail: sales.usa@hikvision.com • www.hikvision.com

**HIKVISION**  
Rev. 032819NA