



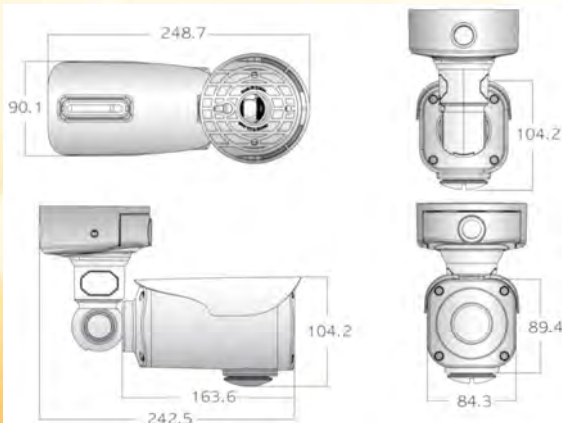
HD TVI

1080P IR BULLET CAMERA

FEATURES

- HD-TVI : High Definition Transport Video Interface
- 1080p FULL HD Flawless Video
- 1/2.9" Sony CMOS
- 2.8~12mm Auto-Iris Varifocal Lens
- 0 Lux at IR On (High Power LED 6pcs)
- Upgraded Waterproof Housing (IP68 Rating)
- Auto Removable IR-Cut Filter (ICR) : True Day & Night
- Deep color and clear video at both day and night time
- Smart IR
- DNR (Digital Noise Reduction)
- RS-485 Option
- Easy Installation
- DC 12V

DIMENSIONS (mm)



Resolution	1080p, 720p, 720p CROP
Sensor	1/2.9 inch Sony CMOS
Total Pixels	2000(H) × 1241(V) = 2,482,000
Effective Pixels	1944(H) × 1092(V) = 2,122,648
Scanning System	Progressive
S/N (Y Signal)	More then 52 dB (AGC Off)
Video Output	TVI / (CVBS: 1.0Vp-p (75ohm):Option)
Min. Illumination	0 Lux at IR On
White Balance	Auto / Auto Ext / Preset / Manual
Shutter	Auto / Manual (1/30sec ~ 1/60,000sec)
Brightness	Adjustable (0~20 Step)
Sens Up	OFF / X2 / X3 / X4 / X5 / X6 / X7 / X8
DNR	OFF / Low / Middle / High
Backlight	OFF / WDR / BLC / HLM
ACE	OFF / Low / Middle / High
Day & Night	Auto (Day <-> Night Time Change), Color, B/W, Extern, MDIR (Search Option)
Privacy	OFF / ON (16 Zone)
Motion	OFF / SET
Digital Zoom	0~127
Flip	OFF / ON
Freeze	OFF / ON
Language	English, Chinese, Chinese(S), Japanese, Korean
Sharpness	Adjustable (0~10 Step)
Defog	OFF / SET
Communication Port	RS-485 (Pelco-D)
Smart IR	Adjustable (0~20 Step)
Operating Temp / Humidity	-10 °C ~ +50 °C (14 °F ~ 122 °F) / 30%~80% RH
Storage Temp / Humidity	-20 °C ~ +60 °C (-4 °F ~ 140 °F) / 20%~90% RH
Power	DC 12V
Signal Transmission	The distant difference is occurred according to cable option and other circumstances. (Coaxial Cable 300M)

MADE IN KOREA