

2MP LightHunter HD IR Fixed Dome Analog Camera



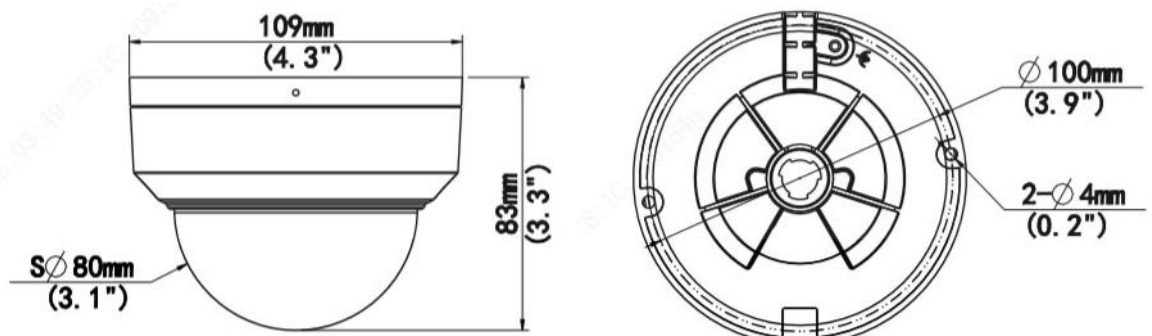
Overview

UAC-D122-AF28M Is a 2 Megapixel Lighthunter HD IR Fixed Dome Analog Camera with A High-Performance 1/2.9-Inch CMOS Sensor And 3D Noise Reduction Technology. It Supports TVI, AHD, CVI, And CVBS, Which Effectively Enhances Product Adaptability and Diversity of Networking Solutions. With any 75 Ohm Coaxial Cable Types, The Camera Can Achieve Low-Cost, Long-Distance, And Anti-Interference Megapixel HD Video Transmission Without Time Delay. It Supports IR-Cut Filter with Auto-Switch (ICR) And Provides Color Images During the Daytime and Black and White Images at Night. The Camera Also Supports Audio Input and Synchronous Transmission of Audio and Video.

Features

- High quality imaging with 2MP resolution
- TVI/AHD/CVI/CVBS
- Supports IR-cut filter with auto-switch (ICR)
- LightHunter monitoring with high-sensitivity sensor
- 3D noise reduction technology delivers clean and sharp images
- Supports 180° horizontal/vertical flip
- OSD configuration menu, easy to operate
- Water and dust resistant (IP67) and vandal-resistant (IK10)
- OSD configuration menu in 11 languages
- Built-in microphone for high quality audio transmission via coaxial
- cables Supports digital defog
- Metal base and metal housing
- 3-Axis Construction

Dimensions



Specifications

Model	UAC-D122-AF28M	UAC-D122-AF40M
Sensor		
Pixel	2MP	
Size	1/2.9"	
Minimum illumination	0.005 lux (F1.6, AGC ON) 0 lux (IR on)	
Lens		
Lens	2.8mm	4.0mm
Lens mount	M12	
Angle of view	H: 101.5° V: 56.9° D: 117.4°	H: 83.8° V: 42.7° D: 100.1°
Illuminator		
Illuminator	One IR illuminator	
Illumination distance	30m	
Lifetime	≥60,000 hours	
Video		
Resolution	1080P: 1920(H)×1080(V) 720P: 1280(H) ×720(V)	
Frame rate	TVI/AHD/CVI: 1080P@25fps (default), 1080P@30fps; 720P@25fps, 720P@30fps CVBS: PAL, NTSC	
Shutter time	PAL: 1/25s-1/50000s NTSC: 1/30s-1/50000s	
Image		
Exposure mode	Four modes: Global (default), BLC, HLC, DWDR	
Day/Night	Three modes: Auto (default), Day, Night	
Noise reduction	2D/3D	
White balance	Two modes: Auto (default), Manual	
WDR	DWDR	
Smart IR	Support	
Flip	Supports 180° horizontal flip, 180° vertical flip	
Defog	Digital Defog	
Audio		
Microphone	Built-in Mic	
Camera audio	TVI: 1080P@30fps, 1080P@25fps CVI: 1080P@30fps, 1080P@25fps	
Interface		
Power	5.5mm power interface	
Video output	BNC, supports TVI/AHD/CVI/CVBS	
Operating environment		
Temperature	-30°C to 60°C (-22°F to 140°F)	
Humidity	≤95% (RH, non-condensing)	
Surge protection	4kV for power and video output interfaces	
Ingress protection	IP67	
IK rating	IK10	

General	
Power	DC 12V(±25%), with reverse polarity protection, Max 3.3W
Mount	Surface mount (default), optional tilted mounting bracket
Dimensions	Φ109mm*83mm (diameter*height)
Material	Metal
Weight	372g (0.82lb)
Certification	CB, CE, FCC, UL

Accessories

TR-JB03-G-IN
Junction Box



TR-JB07/WM03-G-IN
Wall Mount



TR-WM03-D-IN
Wall Mount



TR-UP06-IN
Pole Mount



TR-A01-IN
Waterproof Joint



TR-UC08-C
Corner Mount



TR-UM06-E-IN
Tilted Mounting



TR-SE24-IN
Pendant Mount



TR-SE24-A-IN
Pendant Mount



TR-CM24-IN
Pendant Mount



PWR-DC1201A-UK
Wall Plug-in UK Power
Adapter


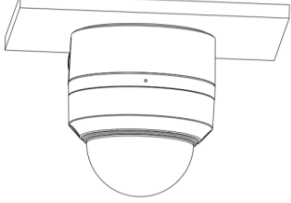
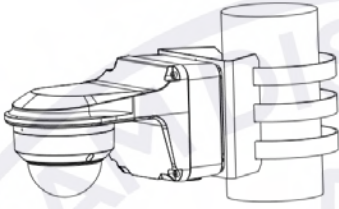
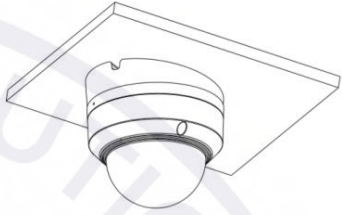
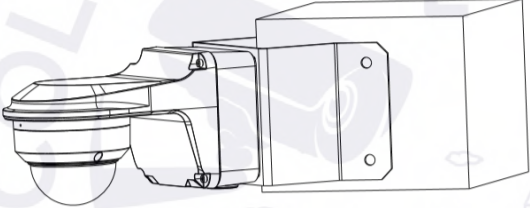
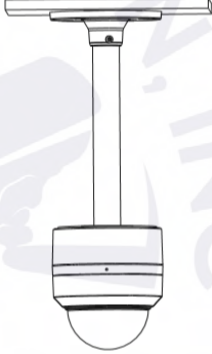


PWR-DC1201A-US
Wall Plug-in US Power
Adapter



PWR-DC1201A-EU
Wall Plug-in EU Power
Adapter



Mount	
TR-JB07/WM03-G-IN 	TR-JB03-G-IN 
TR-JB07/WM03-G-IN(TR-WM03-D-IN)+TR-UP06-IN 	TR-UM06-E-IN 
TR-JB07/WM03-G-IN(TR-WM03-D-IN)+TR-UC08-C 	TR-CM24-IN+TR-JB03-G-IN 

EST.



1998