

# 5MP ColorHunter HD Fixed Turret Analog Camera



## Introduction

The Uniview UAC-T125-AF28M-W is the perfect choice for anyone in need of a reliable security system. This 5MP ColorHunter HD fixed turret analog camera has a 1/2.7-inch CMOS sensor and a 2.8 mm or 4.0 mm lens M12. It supports TVI, AHD, CVI, and CVBS, which offers vast adaptability, flexibility, and a wide range of networking solutions. This means that your security system can be tailored to suit your needs perfectly, with the ability to switch between the different formats as and when necessary.

The Uniview UAC-T125-AF28M-W also features 2D-DNR (Digital Noise Reduction) and DWDR, allowing you to achieve low-cost, long-distance, and anti-interference Megapixel HD video transmission without any time delay. As well as this, the camera supports audio input and synchronous transmission of audio and video, providing 24/7 color images for your security system.

The camera also offers impressive features designed to ensure optimal safety. 4kV Surge Protection, IP 67 Ingress Protection, DC12V ( $\pm 25\%$ ), and reverse polarity protection all come as standard. The maximum power consumption is just 3.28W, meaning you don't have to worry about hefty energy bills.

## Features

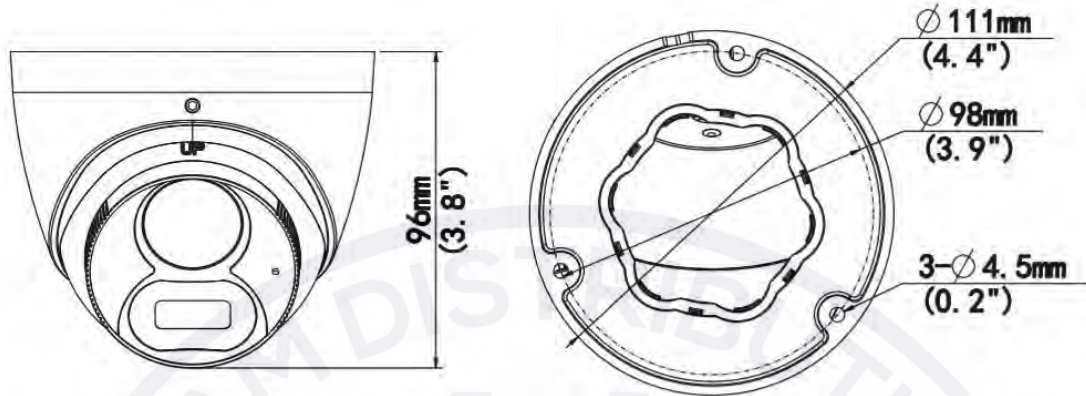
- 5MP high quality imaging
- TVI/AHD/CVI/CVBS
- Supports white light illumination, 24/7 color images
- Supports 180° horizontal flip, 180° vertical flip
- OSD configuration menu, easy to operate
- IP67 waterproof and dust proof design, high reliability
- OSD configuration menu in 11 languages
- Built-in microphone for high quality audio transmission via coaxial cables Metal front face and housing
- 3-Axis

## Specifications

Model	UAC-T125-AF28M-W	UAC-T125-AF40M-W
<b>Sensor</b>		
Pixel	5MP	
Size	1/2.7"	
Minimum illumination	0.005lux (F1.4, AGC ON) 0 lux (white light on)	
<b>Lens</b>		
Lens	2.8mm	4.0mm
Lens mount	M12	
Angle of view	H: 111.5° V: 58.9° D: 134.8°	H: 89.6° V: 48.3° D: 106.4°
<b>Illuminator</b>		
Illuminator	Two white-light illuminators	
Illumination distance	40m	
Lifetime	≥60,000 hours	
<b>Video</b>		
Resolution	5MP@25fps: 2880(H)×1620(V); 5MP@20fps: 2592(H)×1944(V); 5MP@12.5fps: 2592(H)×1944(V) 4MP: 2560(H)×1440(V) 1080P: 1920(H)×1080(V)	
Frame rate	TVI: 5MP@20fps (default), 5MP@12.5fps, 4MP@30fps, 4MP@25fps, 1080P@30fps, 1080P@25fps AHD: 5MP@20fps, 4MP@30fps, 4MP@25fps, 1080P@30fps, 1080P@25fps CVI: 5MP@25fps, 4MP@30fps, 4MP@25fps, 1080P@30fps, 1080P@25fps CVBS: PAL, NTSC	
Shutter time	PAL: 1/25s-1/50000s NTSC: 1/30s-1/50000s	
<b>Image</b>		
Exposure mode	Four modes: Global (default), BLC, HLC, DWDR	
Day/Night	24/7 color images	
Digital noise reduction	2D	
White balance	Two modes: Auto (default), Manual	
WDR	DWDR	
Flip	Supports 180° horizontal flip, 180° vertical flip	
<b>Audio</b>		
Microphone	Built-in Mic	
Camera audio	TVI: 5MP@20fps, 5MP@12.5fps, 4MP@30fps, 4MP@25fps, 1080P@30fps, 1080P@25fps CVI: 5MP@25fps, 4MP@30fps, 4MP@25fps	
<b>Interface</b>		
Power	5.5mm power interface	
Video output	BNC, supports TVI/AHD/CVI/CVBS	
<b>Operating environment</b>		
Temperature	-30°C to 60°C (-22°F to 140°F)	
Humidity	≤95% (RH, non-condensing)	
Surge protection	4kV	
Ingress protection	IP67	

General	
Power	DC12V (±25%), with reverse polarity protection. Max 3.28W
Mount	Surface mount (default), optional junction box and wall mount bracket
Dimensions	Φ111mm*96mm (diameter*height)
Material	Metal and plastic
Weight	356g (0.79lb)
Certification	CB, CE, FCC, UL

## Dimensions



## Accessories

TR-JB03-G-IN  
Junction Box



TR-JB07/WM03-G-IN  
Wall Mount



TR-WM03-D-IN  
Wall Mount



TR-A01-IN  
Waterproof Joint



TR-UP06-IN  
Pole Mount



TR-UC08-C  
Corner Mount



TR-SE24-A-IN  
Pendant Mount



TR-CM24-IN  
Pendant Mount



TR-SE24-IN

Pendant Mount



PWR-DC1201A-UK

Wall Plug-in UK Power Adapter



PWR-DC1201A-US

Wall Plug-in US Power Adapter



PWR-DC1201A-EU

Wall Plug-in EU Power Adapter



Mount	
TR-JB03-G-IN	TR-JB07/WM03-G-IN(TR-WM03-D-IN)
TR-JB07/WM03-G-IN(TR-WM03-D-IN)+TR-UP06-IN	TR-JB07/WM03-G-IN(TR-WM03-D-IN)+TR-UC08-C
TR-CM24-IN+TR-JB03-G-IN	