

Hybrid DVR

8CH Hybrid DVR



TVST TD2708-N5



8 CH 1080P high definition DVRs with ability to connect analog and IP cameras simultaneously, which adopt the standard H.265 high profile compression format and the most advanced SOC technique to ensure real time recording in each channel and realize outstanding robustness of the system.

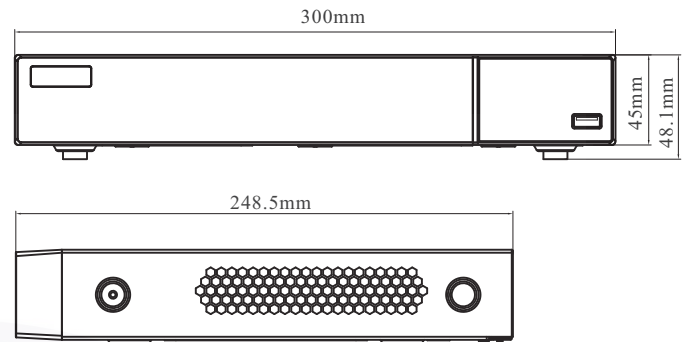
It support 8 CH video input, 8 CH audio input, simultaneous 8 CH playback. The series of product can meet different security requirements of home, financial, commerce, enterprise, transportation and government, etc.



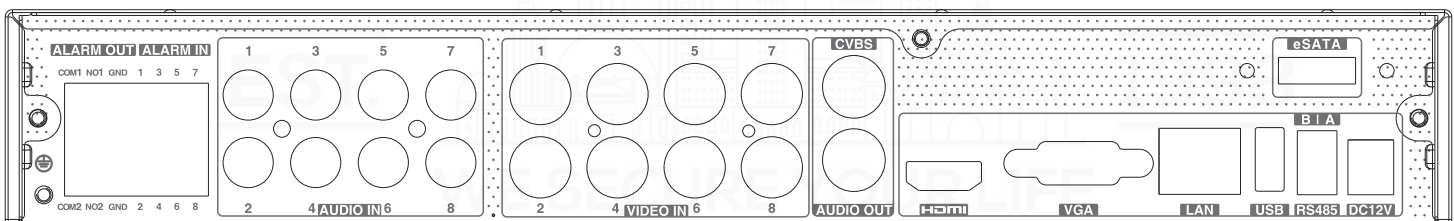
Features

- 8 CH TVI / AHD / CVI 5MP / 4MP / 1080P / 720P / WD1 video input
- 8 CH DVRs default support 2 / 4 CH 5MP / 4MP / 3MP / 1080P / 960P / 720P IP video input
- Adopt standard H.265 high profile compression format to get high-quality video at much lower bit rate
- Intuitive and user-friendly Graphics User Interface (GUI , window style operation by mouse
- Multi-mode recording: manual / timed / motion / AI recording
Playback : 8 CH simultaneously playback
- Search: time slice, time, event (manual, motion, tag search
- Express and flexible backup via USB, network and so on
- Pentaplex: preview, record, playback, backup and remote access
- DHCP, DDNS, PPPoE network protocol
- Remote control via Web Client or CMS : preview, playback, backup, PTZ and configuration
- Support remote network transmission and remote surveillance with mobile device
- Multi-user online simultaneously
- Authorization management, log review and device status review
- 1080P output, true high resolution display
- Support PTZ preset and auto cruise, up to 255 presets and 8 cruises
- Support NAT function and QRCode scanning by mobile phones
- Powerful mobile surveillance by smart phones with iOS and Andriod OS

Dimensions



Rear Panel



Specifications

Model		TD2704-N5	TD2708-N5
System	OS	Embedded Linux	
Video	Analog Video Input	BNC × 4	BNC × 8
		BNC interface (1.0Vp-p; 75Ω)	
		TVI/AHD/CVI : 5MP/4MP/1080P/720P/WD1 (live)	
	IP Video Input	2CH	4CH
		Up to 5MP@30fps	Up to 5MP@30fps
	Total Input	6CH	12CH
	Output	HDMI × 1 : 1920 × 1080 / 1280 × 1024 / 1024 × 768 VGA × 1 : 1920 × 1080 / 1280 × 1024 / 1024 × 768 BNC × 1 : CVBS (used as the main or spot output)	
	Compression	H.264/H.265	
Multi-screen Display	1 /4/6/9	1 /4/6/8/9/13/16	
Audio	Input	RCA × 4	RCA × 8
	Output	RCA × 1 (linear, 600Ω)	
	Two-way audio	Take up channel one audio input	
	Compression	G.711(U/A)	
Record	Resolution	5MP Lite/4MP Lite / 1080P/1080P Lite/720P/WD1/D1	
	Frame Rate	Analog Channel: 5MP Lite@10fps (PAL / NTSC) 4MP Lite/1080P@12fps(PAL) / 15fps (NTSC) 1080P Lite/720P/WD1/D1@25fps (PAL) / 30fps (NTSC) IP Channel: 25fps (PAL) / 30fps (NTSC)	
	Bit Rate	32Kbps ~ 4Mbps	
	Mode	Manual, timer, motion, smart event	
Playback	Playback	4CH	8CH
	Search	Time slice / time / event / tag search	
	Smart Search	Highlight colors to display the camera record in a certain period of time, different colors refer to different record events	
	Function	Play, pause, FF, FB, digital zoom, etc.	
Alarm	Mode	Manual, motion, exception, smart event	
	Input	4CH	8CH
	Output	1CH	2CH
Network	Interface	RJ 45 100Mbps × 1	
	Protocol	TCP/IP, PPPoE, DHCP, DNS, DDNS, UPnP, HTTP, HTTPS, NTP, SMTP	
	Incoming Bandwidth	16Mbps	32Mbps
	Outgoing Bandwidth	40Mbps	60Mbps
	Client Connection	Max. 5 users access	
MobileDevice	OS	iOS, Andriod	
Storage	HDD	SATA×1, up to 10TB	SATA×1, up to 10TB; E-SATA×1
Backup	Local Backup	U disk, USB mobile HDD	
	Network Backup	Yes	
Port	RS 485	Yes (half-duplex), connect to PTZ or keyboard	
	USB	USB 2.0 × 2	
	Remote Controller	Optional	
Others	Power Supply	DC12V/2A	DC12V/3A
	Consumption	≤ 10W (without HDD)	≤ 10W (without HDD)
	Dimensions(mm)	300 × 249 × 45mm (W × D × H)	
	Working Environment	-10~50°C, 10%~90% (humidity)	
	Certificate	CE, FCC	
	Environmental Protection	Directive EU RoHS, WEEE, REACH	