

4MP ePoE Network Bullet Camera

Ultra Wide Dynamic Range Vari-focal Network Camera with Analytics+



- 1/1.8-in. 4 MP Progressive-scan CMOS Sensor
- Five-stream Encoding
- Smart H.265+ and Smart H.264+ Dual Codec
- 4 MP (2688 x 1520) at 60 fps Maximum Resolution
- 2.7 mm to 12 mm Motorized Vari-focal Lens
- Enhanced Power and Data Transmission Distances (ePoE)
- ArcticPro Series Camera - Operational down to -40°C (-40°F)
- IP67 Ingress Protection and IK10 Vandal Resistance
- Analytics+ Functions — People Counting, Perimeter Protection, and Image Attribute Extraction
- Ultra Wide Dynamic Range (140 dB) and Day/Night IR Cut Filter
- 12 VDC Power Output (maximum current: 165 mA)
- Five-year Warranty*



WizMind Series devices offer the full complement of Dahua Analytics+ functions for comprehensive, human-oriented analytic solutions. WizMind Series products deliver perimeter protection, vehicle and crowd density statistics, video metadata, and advanced people counting with heat map functionality. WizMind is ideal for complex applications with demanding requirements that need advanced analytic capabilities.

System Overview

The Dahua 4 MP ePoE camera offers Analytics+ functions at the edge – performing complex real-time people counting and perimeter protection surveillance. The Dahua Analytics+ algorithms significantly improve accuracy and reliability as compared to standard intelligent features. The camera is ideal for a host of diverse applications — Ultra Wide Dynamic Range and Smart IR technologies allow the camera to operate in any lighting condition and the IP67 and IK10 rating make the camera suitable for the harshest environments.

Functions

People Counting

The camera uses complex real-time people counting algorithms to deliver accurate flow statistics from two distinct people counting functions, Line Crossing and Regional. The line crossing function counts the number of people crossing a defined line, and the regional function counts the number of people in a distinct, user-defined area. People counting is ideal for measuring the number of customers entering or exiting a location and to monitor groups of people in a distinct location.

Perimeter Protection

Dahua Analytics+ includes Tripwire and Intrusion functions that offer custom tripwires based on object type for automation in limited access areas. Perimeter Protection requires less pixels to detect an object to deliver improved accuracy and decreased false alarms due to lights, weather, trees, or animals.

Image Attribute Extraction

Analytics+ allows the camera to classify images in a video stream and then extract and store attributes and features for a specific image. The camera can distinguish between vehicle and human objects, track the object in real-time, and extract attributes, such as vehicle type, color, and make; or gender, clothing color, and facial attributes for people. The function also offers Privacy Protection to blur the face or the body of a person within a defined area.

ArcticPro

The Dahua ArcticPro Series of extreme-environment cameras combine temperature-tolerant components, a waterproof enclosure, and an integrated heater to ensure flawless operation in temperatures as low as -40°C (-40°F). For applications that demand high-resolution video with advanced features in extremely cold environments, the Dahua ArcticPro Series offers a camera to satisfy the most demanding requirements.

Cybersecurity

Dahua network cameras are equipped with a series of key cybersecurity technologies including: security authentication and authorization, access control, trusted protection, encrypted transmission, and encrypted storage. These technologies improve the camera's ability to prevent malicious access and to protect data.

Environmental

The camera complies with the IK10 impact rating making it capable of withstanding the equivalent of 5 kg (11.02 lbs) of force dropped from a height of 40 cm (15.75 in.). Subjected and certified to rigorous dust and water immersion tests, the IP67 rating makes it suitable for demanding outdoor applications.

*Warranty applies to products sold through an authorized Dahua Dealer.

Technical Specification					
Camera					
Image Sensor	1/1.8-in. 4 MP CMOS				
Effective Pixels	2688(H) x 1520(V)				
RAM/ROM	2 GB / 16 GB				
Scanning System	Progressive				
Electronic Shutter Speed	Auto, Manual, 1/3 s to 1/100,000 s				
Minimum Illumination	Color: 0.001 lux at F1.2 (1/3 s, 30 IRE) 0 lux at F1.2 (with IR on)				
IR Distance	Distance up to 50.0 m (164.04 ft)				
IR On/Off Control	Auto, Manual				
IR LEDs	Four (4)				
Lens					
Lens Type	Electric Zoom				
Mount Type	Module Interface				
Focal Length	2.7 mm to 12 mm				
Max. Aperture	F1.2				
Angle of View	Horizontal: 111° to 47° Vertical: 59° to 26° Diagonal: 135° to 51°				
Optical Zoom	4x				
Aperture Control	Auto				
Close Focus Distance	Wide: 1.0 m (3.29 ft) Tele: 2.50 m (8.20 ft)				
DORI Distance ¹	Lens	Detect (8 ppf)	Observe (19 ppf)	Recognize (38 ppf)	Identify (76 ppf)
	Wide	60.10 m (187.18 ft)	24.0 m (78.74 ft)	12.0 m (39.37 ft)	6.0 m (19.69 ft)
	Telephoto	128.60 m (421.92 ft)	51.40 m (168.64 ft)	25.70 m (84.32 ft)	12.80 m (41.99 ft)
Installation Angle					
Range	Pan: 0° to 360°; Tilt: 0° to 90°; Rotation: 0° to 360°				
Video					
Compression	Smart H.265+, H.265, Smart H.264+, H.264, H.264B, H.264H, MJPEG (sub stream only)				
Streaming Capability	Five (5) Streams				
Resolution	4 MP (2688 x 1520), 3 MP (2304 x 1296), 1080p (1920 x 1080), 1.3 MP (1280 x 960), 720p (1280 x 720), D1 (704 x 480), VGA (640 x 480), CIF (352 x 240)				
Frame Rate	Main Stream: 4 MP (2688 x 1520) at 60 fps				
	Sub Stream 1: 704 x 576 at 30 fps				
	Sub Stream 2: 1080p (1920 x 1080) at 30 fps				
	Sub Stream 3: 1080p (1920 x 1080) at 30 fps				
Bit Rate Control	Sub Stream 4: 704 x 576 at 30 fps				
	CBR/VBR				
Bit Rate	H.264: 32 Kbps to 10240 Kbps H.265: 12 Kbps to 10240 Kbps				
Day/Night	Auto (ICR), Color, B/W				
BLC Mode	BLC, HLC, Ultra WDR (140 dB), SSA				

1. The DORI distance is a measure of the general proximity for a specific classification to help pinpoint the right camera for your needs. The DORI distance is calculated based on sensor specifications and lab test results according to EN 62676-4, the standard that defines the criteria for the Detect, Observe, Recognize and Identify classifications.

White Balance	Auto, Natural, Street Lamp, Outdoor, Manual, Regional Custom	
Gain Control	Auto, Manual	
Noise Reduction	3D DNR	
Motion Detection	Off, On (4 Zones, Rectangular)	
Region of Interest	Off, On (4 Zones)	
Advanced Features	Electronic Image Stabilization (EIS), Smart IR, Defog	
Flip	0°, 90°, 180°, 270° (supports 90° and 270° with 1080p resolution or lower)	
Mirror	Off, On	
Privacy Masking	Off, On (4 Areas, Rectangular)	
Audio		
Compression	G.711a, G.711Mu, G.726	
Network		
Ethernet	RJ-45 (100/1000 Base-T)	
Protocol	HTTP, HTTPS, TCP, ARP, RTSP, RTP, UDP, SMTP, FTP, DHCP, DNS, DDNS, PPPoE, IPv4/v6, QoS, UPnP, NTP, ICMP, IGMP, 802.1x	
Interoperability	ONVIF Profile S and G, CGI, P2P, RTMP	
Auto Register	Support	
Maximum User Access	20 Users	
Edge Storage	Network Attached Storage (NAS) FTP, SFTP Micro SD Slot, maximum 256 GB	
Web Viewer	IE (Version 9 and higher), Chrome (Version 42 and higher), Firefox (Version 48.0.2 or higher)	
Management Software	SmartPSS, DSS Pro, IVSS	
Mobile Operating System	IOS, Android	
Cybersecurity	Video Encryption, Firmware Encryption, Configuration Encryption, Digest, WSSE, Account Lockout, Security Logs, IP/MAC Filtering, Generating and Importing X.509 Certification, Syslog, HTTPS, 802.1x, Trusted Boot, Trusted Execution, Trusted Upgrade	
Certifications		
Safety	UL60950-1, EN60950-1 CAN/CSA C22.2 No.60950-1-07	
Electromagnetic Compatibility (EMC)	FCC CFR 47 Part 15 Subpart B Electromagnetic Compatibility Directive 2014/30/EU	
Interface		
Audio	Input: One (1) Channel Output: One (1) Channel	
Alarm	Input: Three (3) Channels (5 mA, 5 VDC) Output: Two (2) Channels 1000 mA, 30 VDC 500 mA, 50 VAC	
RS485	One (1) Port (Bit rate: 1200 bps to 115200 bps)	
Electrical		
Power Supply	12 VDC, 24 VAC, or PoE (IEEE 802.3af, Class 0)	
Power Consumption	12 VDC	Standard: 3.7 W with IR and ICR ON: 12.2 W
	24 VAC	Standard: 5.7 W with IR and ICR ON: 17.3 W
	PoE	Standard: 5.5 W with IR and ICR ON: 17.1 W
Power Output	12 VDC, 165 mA Maximum Current	

Environmental

Operating Temperature	-40° C to +60° C (-40° F to +140° F), ≤ 95% RH
Storage Temperature	-40° C to +60° C (-40° F to +140° F), ≤ 95% RH
Ingress Protection	IP67
Vandal Resistance	IK10

Construction

Casing	Metal and Plastic	
Dimensions	Camera	340.10 mm x 108.50 mm x 92.90 mm (13.39 in. x 4.27 in. x 3.66 in.)
	Package	431.0 mm x 205.0 mm x 187.0 mm (16.97 in. x 8.07 in. x 7.36 in.)
Net Weight	1.60 kg (3.53 lb)	
Gross Weight	2.40 kg (5.29 lb)	

Analytics+ Functions

People Counting	<ul style="list-style-type: none"> Delivers accurate flow statistics from the following methods: <ul style="list-style-type: none"> Line Crossing: counts a person as they cross a threshold in a defined direction. Region: counts the number of people in a defined area. Produces daily, monthly, and annual reports for both methods.
Perimeter Protection	<ul style="list-style-type: none"> Detects human or vehicle violations using the following methods: <ul style="list-style-type: none"> Tripwire: a target crosses a defined line. Intrusion: a target enters or exits a defined perimeter.
Image Attribute Extraction	<ul style="list-style-type: none"> Distinguishes between motor vehicle, non-motor vehicle, and human targets. Optimizes images and takes a snapshot of each target. Extracts attributes specific to a target: <ul style="list-style-type: none"> Vehicles: make, color, type Human: gender, face attributes, clothing colors Offers Privacy Protection that blurs the face or the entire body of a person in a defined area.

Intelligent Video System Functions

IVS triggers an alarm and takes a defined action for the following events:

Standard Features	<ul style="list-style-type: none"> Tampering with the camera. Error writing to an onboard Micro SD card. Error sending or receiving data over the network. Unauthorized access to the camera. IP Address Conflict
Premium Features	
Missing Object	An object is missing from a designated area.
Abandoned Object	An object is placed in a designated area where no object should be.
Scene Change	A person or object moves the camera to change the scene or covers the camera to obscure the scene.
Fast Moving	Target exceeds a set speed when exiting a defined area
Parking Detection	Vehicle remains in a defined area without motion for a set period of time.
Crowd Gathering	Specified number of people remain inside a defined area for a set time.
Loitering Detection	Target is in motion inside a defined area longer than a specified amount of time.

ePoE Transmission Distances

Via CAT5E/CAT6 Ethernet Cable

ePoE supply voltage 48 V
Maximum DC resistance < 10 Ω/100 m

Cable Length, m (ft)	Bandwidth, Mbps	PoE Load Capacity, W	Hi-PoE Load Capacity, W	Working Mode
100 (328)	100	25.5	53	IEEE/E100
200 (656)	100	25.5	33	E100
300 (984)	100	19	19	E100
400 (1312)	10	17	17	E10
500 (1640)	10	13	13	E10
800 (2625)	10	7	7	E10

Via CAT5E/CAT6 Ethernet Cable

ePoE supply voltage 53 V
Maximum DC resistance < 10 Ω/100 m

Cable Length, m (ft)	Bandwidth, Mbps	PoE Load Capacity, W	Hi-PoE Load Capacity, W	Working Mode
100 (328)	100	25.5	53	IEEE/E100
200 (656)	100	25.5	47	E100
300 (984)	100	25.5	32	E100
400 (1312)	10	23	26	E10
500 (1640)	10	20	20	E10
800 (2625)	10	13	13	E10

Via RG-59 Coaxial Cable

ePoE supply voltage 48 V
Maximum DC resistance < 5 Ω/100 m

Cable Length, m (ft)	Bandwidth, Mbps	PoE Load Capacity, W	Hi-PoE Load Capacity, W	Working Mode
100 (328)	100	25.5	50	IEEE/E100
200 (656)	100	25.5	30	E100
300 (984)	100	18	18	E100
400 (1312)	100	15	15	E100
500 (1640)	10	12	12	E10
800 (2625)	10	6	6	E10
1000 (3281)	10	5	5	E10

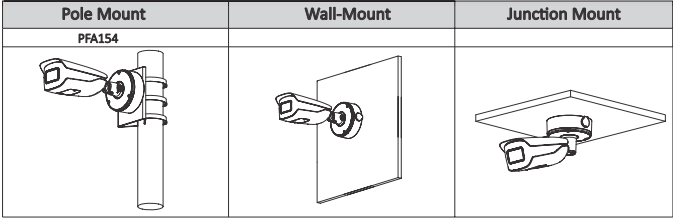
Via RG-59 Coaxial Cable

ePoE supply voltage 53 V
Maximum DC resistance < 5 Ω/100 m

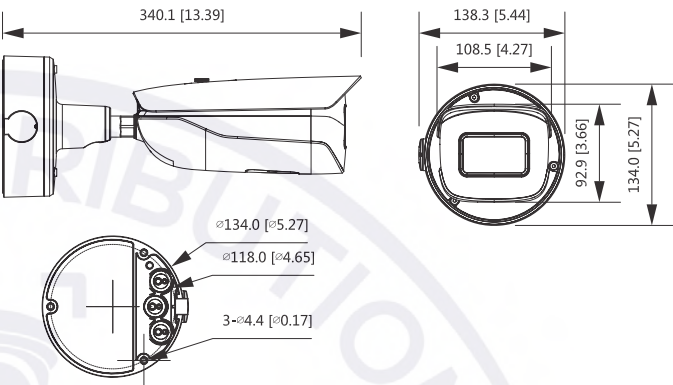
Cable Length, m (ft)	Bandwidth, Mbps	PoE Load Capacity, W	Hi-PoE Load Capacity, W	Working Mode
100 (328)	100	25.5	52	IEEE/E100
200 (656)	100	25.5	48	E100
300 (984)	100	25.5	30	E100
400 (1312)	100	20	23	E100
500 (1640)	10	16	16	E10
800 (2625)	10	10	10	E10
1000 (3281)	10	8	8	E10



Ordering Information		
Type	Part Number	Description
Analytics+ Camera	DH-IPC-HFW7442HN-ZFR	4 MP ePoE Vari-focal Bullet Camera
Mounting Accessories, optional	PFA154	Pole Mount
	DH-PFM320D-US	12 VDC, 2 A Power Adapter
ePoE Accessories, optional	LR1002	EoC Passive Converter
	LR1002-1EC	Single-port EoC Receiver



Dimensions (mm/in.)



Accessories

Optional:



PFA154 Pole Mount



DH-PFM320D-US Power Adapter



LR1002 EoC Passive Converter



LR1002-1EC Single-port EoC Receiver

