



- 1/3-in. 4MP Progressive-scan CMOS Sensor
- Dual Stream Encoding
- Smart H. 265+ and Smart H.264+ Dual Codecs
- 4MP at 20 fps Maximum Resolution, 2.8 mm Fixed Lens
- Starlight Technology for Low Light Sensitivity
- True WDR (120 dB) and Day/Night (ICR)
- Maximum IR LED Length 30 m (98.43 ft) with Smart IR
- Built-in Microphone
- Intelligent Video System
- ArcticPro Series Camera - Operational down to -40°C (-40°)
- IP67 Ingress Protection
- Five-year Warranty*

System Overview

The Dahua 4MP Lite Series cameras offer high-resolution video and cutting-edge technology in a compact and accessible package. The cameras feature Smart H.265+ video compression, reducing bandwidth and storage requirements without sacrificing video quality. The camera's elegant blend of aesthetics combined with a range of easy mounting solutions provides an excellent choice for a variety of small to mid-size applications at an affordable price.

Functions

Starlight Technology

For challenging low-light applications, Dahua's Basic Starlight Technology offers best-in-class light sensitivity, capturing details in low light down to 0.008 lux. The camera uses a set of optical features to balance light throughout the scene, resulting in clear images in dark environments.

Smart H.265+

Smart H.265+ is the optimized implementation of the H.265 codec that uses a scene-adaptive encoding strategy, dynamic GOP, dynamic ROI, flexible multi-frame reference structure and intelligent noise reduction to deliver high-quality video without straining the network. Smart H.265+ technology reduces bit rate and storage requirements by up to 70% when compared to standard H.265 video compression.

Wide Dynamic Range (WDR)

The camera achieves vivid images, even in the most intense contrast lighting conditions, using industry-leading wide dynamic range (WDR) technology. For applications with both bright and low lighting conditions that change quickly, True WDR (120 dB) optimizes both the bright and dark areas of a scene at the same time to provide usable video.

Intelligent Video System

IVS is a built-in video analytic algorithm that delivers intelligent functions to monitor a scene for Tripwire violations and intrusion detection. A camera with IVS quickly and accurately responds to monitoring events in a specific area and offers tamper detection by recognizing a dramatic scene change and generating a warning message to inspect the camera.

Smart IR Technology

With IR illumination, detailed images can be captured in low light or total darkness. The camera's Smart IR technology adjusts the intensity of the camera's infrared LEDs to compensate for the distance of an object. Smart IR technology prevents IR LEDs from whitening out images as they come closer to the camera. The camera's integrated infrared illumination provides high-performance in extreme low-light environments up to 30 m (98.43 ft).

ArcticPro

The Dahua ArcticPro Series of extreme-environment cameras combine temperature-tolerant components with a waterproof enclosure to ensure flawless operation in temperatures as low as -40°F (-40°C) without the need for an internal heater. The lack of a heater reduces the camera's power consumption and saves operating costs. For applications that demand high-resolution video with advanced features in extremely cold environments, the Dahua ArcticPro Series offers a camera to satisfy the most demanding requirements.

Cybersecurity

Dahua network cameras are equipped with a series of key cybersecurity technologies including: security authentication and authorization, access control, trusted protection, encrypted transmission, and encrypted storage. These technologies improve the camera's ability to prevent malicious access and to protect data.

Environmental

Subjected and certified to rigorous dust and water immersion tests, the IP67 rating makes it suitable for demanding outdoor applications.

Technical Specification

Camera					
Image Sensor	1/3-in. 4MP Progressive-scan CMOS				
Effective Pixels	2688(H) x 1520(V)				
RAM/ROM	128 MB / 128 MB				
Scanning System	Progressive				
Electronic Shutter Speed	Auto, Manual; 1/3 s to 1/100000 s				
Minimum Illumination	Color: 0.008 lux at F1.6 0 lux at F1.6 with IR on				
IR Distance	Distance up to 98.43 ft (30 m)				
IR On/Off Control	Auto, Manual				
IR LEDs	Two (2)				
Lens					
Lens Type	Fixed-focal				
Iris Type	Fixed Aperture				
Mount Type	M12				
Focal Length	2.8 mm				
Maximum Aperture	F1.6				
Field of View	Horizontal: 102.0° Vertical: 55.0° Diagonal: 121.1°				
Close Focus Distance	0.90 m (2.95 ft)				
DORI ² Distance	Lens	Detect (8 ppf)	Observe (19 ppf)	Recognize (38 ppf)	Identify (76 ppf)
	2.8 mm	183.73 ft (56 m)	73.49 ft (22.4 m)	36.75 ft (11.2 m)	18.37 ft (5.6 m)
Pan/Tilt/Rotation					
Range	Pan: 0° to 360° Tilt: 0° to 78° Rotation: 0° to 360°				
Video					
Compression	Smart H.265+, H.265, Smart H.264+, H.264, H.264B, MJPEG				
Streaming Capability	Two (2) Streams				
Resolution	2688 x 1520, 2560 x 1440, 2304 x 1296, 1080p (1920 x 1080), 1.3MP (1280 x 960), 720p (1280 x 720), D1 (704 x 480), VGA (640 x 480), CIF (352 x 240)				
Frame Rate	Main Stream	2688 x 1520 at 20 fps or 2560 x 1440 at 30 fps			
	Sub Stream	D1 (704 x 480) at 30 fps			
Bit Rate Control	CBR/VBR				
Bit Rate	H.264: 32 K to 6144 Kbps H.265: 12 K to 6144 Kbps				
Day/Night	Auto (ICR), Color, B/W				
Backlight	BLC, HLC, True WDR (120 dB)				

White Balance	Auto, Natural, Street Lamp, Outdoor, Manual, Regional Custom
Gain Control	Auto, Gain Priority, Shutter Priority, Manual
Noise Reduction	3D DNR
Motion Detection	Off, On (4 Zones, Rectangle)
Region of Interest	Off, On (4 Zones)
Smart IR	Support
Digital Zoom	16x
Image Rotation	0°, 90°, 180°, 270°
Mirror	Off, On
Privacy Masking	Off, On (4 Areas, Rectangle)
Network	
Ethernet	RJ-45 (10/100 Base-T)
Protocol	HTTP, HTTPS, TCP, ARP, RTSP, RTP, UDP, SMTP, FTP, DHCP, DNS, DDNS, PPPOE, IPv4/v6, QoS, UPnP, NTP, Bonjour, 802.1x, Multicast, ICMP, IGMP, SNMP
Interoperability	ONVIF (Profile S, G, T), CGI, P2P
Auto Register	Support
Streaming Method	Unicast, Multicast
Max. User Access	20
Edge Storage	Network Attached Storage (NAS) FTP, SFTP Micro SD Card slot (maximum 256 GB)
Web Viewer	IE, Chrome, Firefox
Management Software	Smart PSS, DSS, DMSS
Mobile Operating System	IOS, Android
Cybersecurity	Video Encryption, Firmware Encryption, Configuration Encryption, Digest, WSSE, Account Lockout, Security Logs, IP/MAC Filtering, Generating and Importing X.509 Certification, Syslog, HTTPS, 802.1x, Trusted Boot, Trusted Execution, Trusted Upgrade
Audio	
Compression	G.711A, G.711Mu, G.726
Input	Built-in Microphone
Certifications	
Safety	EN 60950-1
Electromagnetic Compatibility (EMC)	FCC CFR 47 Part 15 Subpart B Electromagnetic Compatibility Directive 2014/30/EU
Electrical	
Power Supply	12 VDC ± 30%, or PoE (IEEE802.3af Class 0)
Power Consumption	< 6.6 W

Environmental

Operating Conditions	-40° C to +60° C (-40° F to +140° F), Less than 95% RH
Storage Conditions	-40° C to +60° C (-40° F to +140° F)
Ingress Protection	IP67

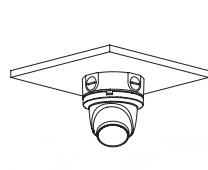
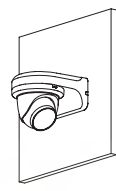

Construction

Casing	Metal
Dimensions	4.80 inches (12.19 cm) x Ø 3.90 inch (9.91 cm)
Net Weight	1.10 lb (0.5 kg)
Gross Weight	1.40 lb (0.64 kg)

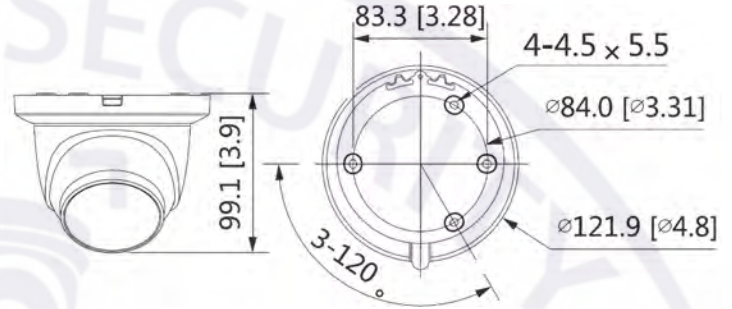
Core Analytics

IVS triggers an alarm and takes a defined action for the following events:

Standard Features	<ul style="list-style-type: none"> • Tampering with the camera. • Error writing to an onboard Micro SD card. • Error sending or receiving data over the network. • Unauthorized access to the camera.
Premium Features	
Tripwire	A target crosses a user-defined line.
Intrusion	A target enters or exits a defined perimeter.

Junction Mount	Wall Mount	Pole Mount
PFA130-E	PFB203W	PFB152-E+PFA203W
		

Dimensions (mm/inch)



1. The DORI distance is a measure of the general proximity for a specific classification to help pinpoint the right camera for your needs. The DORI distance is calculated based on sensor specifications and lab test results according to EN 62676-4, the standard that defines the criteria for the Detect, Observe, Recognize and Identify classifications.

