

4MP Night Color 2.0 Network Eyeball Camera

ePoE Fixed Lens Network Camera with Analytics+



Wiz Mind



WizMind Series devices offer Dahua Analytics+ functions for comprehensive, human-oriented analytic solutions. WizMind Series products are ideal for complex applications with demanding requirements that need advanced analytic capabilities.

System Overview

The Dahua 4 MP ePoE Night Color 2.0 camera offers Analytics+ functions at the edge – performing complex real-time perimeter protection surveillance, Smart Motion Detection, and face detection. The Dahua Analytics+ algorithms significantly improve accuracy and reliability as compared to standard intelligent features. The camera is ideal for a host of diverse applications — Night Color Technology and Ultra Wide Dynamic Range allow the camera to operate in any lighting condition and the IP67 rating makes the camera suitable for the harshest environments.

Functions

Perimeter Protection

Dahua Analytics+ includes Tripwire and Intrusion functions that offer custom tripwires based on object type for automation in limited access areas. Perimeter Protection requires less pixels to detect an object to deliver improved accuracy and decreased false alarms due to lights, weather, trees, or animals.

People Counting

The camera uses complex real-time people counting algorithms to deliver accurate flow statistics from two distinct people counting functions, Line Crossing and Regional. The line crossing function counts the number of people crossing a defined line, and the regional function counts the number of people in a distinct, user-defined area. People counting is ideal for measuring the number of customers entering or exiting a location and to monitor groups of people in a distinct location.

Smart Motion Detection+

Smart Motion Detection+, a component of Dahua's Analytics+ technology, improves alarm accuracy and decreases the number of false alarms. The advanced SMD+ algorithm analyzes a scene for human or vehicle motion, while filtering out other motion due to trees, leaves, animals, weather, and triggers an alarm when detected. SMD+ also saves time when searching recorded video by filtering false alarms and allowing quick retrieval of an alarm due to a person or vehicle.

- 1/1.8-in. 4 MP Progressive-scan CMOS Sensor
- Triple-stream Encoding
- AI Coding, Smart H.265+ and Smart H.264+ Video Compression
- 4 MP (2688 x 1520) at 30 fps, 2.8 mm Fixed Lens
- Ultra Wide Dynamic Range (140 dB)
- Built-in Microphone
- Analytics+ Functions — People Counting, Perimeter Protection, Smart Motion Detection+, and Face Detection
- Night Color Technology with White-light LEDs for Color Images in Total Darkness
- Enhanced Power and Data Transmission Distances (ePoE)
- IP67 Ingress Protection
- Five-year Warranty*

Night Color Technology

The Night Color camera incorporates white-light LEDs to offer full-color images in total darkness, as well as an effective visual deterrent. This technology provides smart illumination where the camera automatically activates the white-light illuminators when ambient light levels fall and adjusts exposure time and LED intensity to prevent overexposing the image.

ArcticPro

The Dahua ArcticPro Series of extreme-environment cameras combine temperature-tolerant components with a waterproof enclosure to ensure flawless operation in temperatures as low as -40°C (-40°F) without the need for an internal heater. The lack of a heater reduces the camera's power consumption and saves operating costs. For applications that demand high-resolution video with advanced features in extremely cold environments, the Dahua ArcticPro Series offers a camera to satisfy the most demanding requirements.

Enhanced Power over Ethernet (ePoE) Technology

Dahua's innovative ePoE technology offers a plug-and-play solution to transmit power and data over long distances via Ethernet or coaxial cables, reducing installation time and saving money. ePoE technology is a viable, cost-effective solution for extending transmission distances and for converting existing, coax-based analog systems into IP systems.

Cybersecurity

Dahua network cameras are equipped with a series of key cybersecurity technologies including: security authentication and authorization, access control, trusted protection, encrypted transmission, and encrypted storage. These technologies improve the camera's ability to prevent malicious access and to protect data.

Environmental

Subjected to rigorous dust and water immersion tests the camera suitable for the most demanding outdoor applications. The camera carries an IP67 rating that ensures protection from total dust ingress and protection from water immersion between 15 centimeters and 1 meter in depth.

*Warranty applies to products sold through an authorized Dahua Dealer.

Technical Specification					
Camera					
Image Sensor	1/1.8-in. 4 MP Progressive-scan CMOS				
Effective Pixels	2688(H) x 1520(V)				
RAM/ROM	512 MB/128 MB				
Scanning System	Progressive				
Electronic Shutter Speed	Auto, Manual, 1/3 s to 1/100,000 s				
S/N Ratio	> 56 dB				
Minimum Illumination	Color: 0.0005 lux at F1.0				
Illuminator Type	White-light LED				
Illumination Distance	20.0 m (65.62 ft)				
Illuminator Control	Automatic, Manual, Off				
Illuminators	Two (2)				
Lens					
Lens Type	Fixed-focal				
Mount Type	M16				
Focal Length	2.8 mm				
Maximum Aperture	F1.0				
Angle of View	Horizontal: 107° Vertical: 60° Diagonal: 135°				
Iris Type	Fixed				
Close Focus Distance	1.60 m (5.25 ft)				
DORI ¹ Distance	Lens	Detect (8 ppf)	Observe (19 ppf)	Recognize (38 ppf)	Identify (76 ppf)
	2.8 mm	58.2 m (190.9 ft)	23.3 m (76.4 ft)	11.6 m (38.1 ft)	5.8 m (19.0 ft)
Installation Angle					
Range	Pan: 0° to 355° Tilt: 0° to 80° Rotation: 0° to 355°				
Video					
Compression	Smart H.265+, H.265, Smart H.264+, H.264, H.264B, H.264H, MJPEG (sub stream only)				
Streaming Capability	Three (3) Streams				
Resolution	4 MP (2688 x 1520), 2560 x 1440, 2304 x 1296, 1080p (1920 x 1080), 1.3 MP (1280 x 960), 720p (1280 x 720), D1 (704 x 480), VGA (640 x 480), CIF (352 x 240)				
Frame Rate	Main Stream	4 MP (2688 x 1520) at 30 fps			
	Sub Stream 1	D1 (704 x 480) at 30 fps			
	Sub Stream 2	1080p (1920 x 1080) at 1 fps			
Bit Rate Control	CBR/VBR				
Bit Rate	H.264: 32 Kbps to 8192 Kbps H.265: 19 Kbps to 8192 Kbps				
Day/Night	Color, B/W				
BLC Mode	BLC, HLC, Ultra WDR (140 dB), SSA				
White Balance	Auto, Natural, Street Lamp, Outdoor, Manual, Regional Custom				
Gain Control	Auto, Manual, Gain Priority, Shutter Priority				
Noise Reduction	3D DNR				
Motion Detection	Off, On (4 Zones)				
Region of Interest	Off, On (4 Zones)				
Advanced Features	Defog				
Image Rotation	0°, 90°, 180°, 270°				
Mirror	Off, On				
Privacy Masking	Off, On (8 Areas, Rectangular)				
Audio					
Compression	G.711a, G.711Mu, G.726, G.723, PCM				
Network					
Ethernet	RJ-45 (10/100 Base-T)				
Protocol	HTTP, HTTPS, TCP, ARP, RTSP, RTP, UDP, SMTP, FTP, DHCP, DNS, DDNS, PPPOE, IPv4/v6, QoS, UPnP, NTP, ICMP, IGMP, 802.1x				
Interoperability	ONVIF (Profile S/Profile G/Profile T); CGI; Milestone; Genetec; P2P				
Streaming Method	Unicast / Multicast				
Maximum User Access	20 (Total bandwidth: 80 Mbps)				
Edge Storage	Network Attached Storage (NAS) FTP, SFTP Micro SD Card Slot, maximum 256 GB				
Web Viewer	IE (Version 8 and higher), Chrome, Firefox				
Management Software	DSS, DMSS				
Mobile Operating System	iOS, Android				
Cybersecurity	Video Encryption, Firmware Encryption, Configuration Encryption, Digest, WSSE, Account Lockout, Security Logs, IP/MAC Filtering, Generating and Importing X.509 Certification, Syslog, HTTPS, 802.1x, Trusted Boot, Trusted Execution, Trusted Upgrade				
Certifications					
Safety	UL60950-1 CAN/CSA C22.2 No.60950-1-07 EN62368-1				
Electromagnetic Compatibility (EMC)	CFR 47 FCC Part 15 Subpart B Electromagnetic Compatibility Directive 2014/30/EU				
Interface					
Audio Input	One (1) Channel built-in Microphone				
Electrical					
Power Supply	12 VDC ±30%, PoE (IEEE 802.3af, Class 0), or ePoE				
Power Consumption	Basic	12 VDC: 2.2 W PoE: 2.8 W			
	Maximum	12 VDC: 6.9 W PoE: 7.9 W			
Environmental					
Operating Conditions	-40° C to +60° C (-40° F to +140° F), Less than 95% RH				
Storage Conditions	-40° C to +60° C (-40° F to +140° F),				
Ingress Protection	IP67				

Construction

Casing	Metal
Dimensions (L x W x H)	ø106.0 mm x 99.20 mm (ø4.17 in. x 3.91 in.)
Net Weight	0.55 kg (1.21 lb)
Gross Weight	0.71 kg (1.57 lb)

Analytics+ Functions²

Smart Plan Schedule	Enable Analytics+ functions depending on a user-defined schedule. Allows the camera to switch analytic functions based on time.				
Perimeter Protection	<ul style="list-style-type: none"> Detects human or vehicle violations using the following methods: <ul style="list-style-type: none"> Tripwire: a target crosses a defined line. Intrusion: a target enters or exits a defined perimeter. Monitors a combination of detection methods. Search and retrieve video based on target type. 				
People Counting	<ul style="list-style-type: none"> Delivers accurate flow statistics from the following methods: <ul style="list-style-type: none"> Line Crossing: counts a person as they cross a threshold in a defined direction. Region: counts the number of people in a defined area. Counts people simultaneously from four (4) threshold lines and four (4) defined regions. 				
Queue Management	<ul style="list-style-type: none"> Monitors four (4) user-defined regions where people wait in line (or queue). Issues an alarm for the following triggers: <ul style="list-style-type: none"> People in Line: the number of people in line exceeds a minimum threshold. Wait Time: time a person waits in line is greater than the minimum queue time. 				
Face Detection	<ul style="list-style-type: none"> Detects and captures a snapshot of a human face within a scene. 				
Smart Motion Detection+	<ul style="list-style-type: none"> Differentiates between and classifies human and vehicle objects. Filters false alarms due to leaves, lights, animals, and other inconsequential objects. Extracts human or vehicle objects from recorded video for quick target search and retrieval. 				
Recommended Detection Distance	<table border="0"> <tr> <td>Human</td> <td>Up to 10.0 m (32.81 ft)</td> </tr> <tr> <td>Vehicle</td> <td>Up to 15.0 m (49.21 ft)</td> </tr> </table>	Human	Up to 10.0 m (32.81 ft)	Vehicle	Up to 15.0 m (49.21 ft)
Human	Up to 10.0 m (32.81 ft)				
Vehicle	Up to 15.0 m (49.21 ft)				

Intelligent Video System Functions

IVS triggers an alarm and takes a defined action for the following events:

Standard Features	<ul style="list-style-type: none"> Tampering with the camera. Error writing to an onboard Micro SD card. Error sending or receiving data over the network. Unauthorized access to the camera. IP Address Conflict
Premium Features	
Missing Object	An object is missing from a designated area.
Abandoned Object	An object is placed in a designated area where no object should be.
Scene Change	A person or object moves the camera to change the scene or covers the camera to obscure the scene.
Fast Moving	Target exceeds a set speed when exiting a defined area
Parking Detection	Vehicle remains in a defined area without motion for a set period of time.
Crowd Gathering	Specified number of people remain inside a defined area for a set time.
Loitering Detection	Target is in motion inside a defined area longer than a specified amount of time.

ePoE Transmission Distances

Via CAT5E/CAT6 Ethernet Cable

ePoE supply voltage 48 V
Maximum DC resistance < 10 Ω/100 m

Cable Length, m (ft)	Bandwidth, Mbps	PoE Load Capacity, W	Hi-PoE Load Capacity, W	Working Mode
100 (328)	100	25.5	53	IEEE/E100
200 (656)	100	25.5	33	E100
300 (984)	100	19	19	E100
400 (1312)	10	17	17	E10
500 (1640)	10	13	13	E10
800 (2625)	10	7	7	E10

Via CAT5E/CAT6 Ethernet Cable

ePoE supply voltage 53 V
Maximum DC resistance < 10 Ω/100 m

Cable Length, m (ft)	Bandwidth, Mbps	PoE Load Capacity, W	Hi-PoE Load Capacity, W	Working Mode
100 (328)	100	25.5	53	IEEE/E100
200 (656)	100	25.5	47	E100
300 (984)	100	25.5	32	E100
400 (1312)	10	23	26	E10
500 (1640)	10	20	20	E10
800 (2625)	10	13	13	E10

Via RG-59 Coaxial Cable

ePoE supply voltage 48 V
Maximum DC resistance < 5 Ω/100 m

Cable Length, m (ft)	Bandwidth, Mbps	PoE Load Capacity, W	Hi-PoE Load Capacity, W	Working Mode
100 (328)	100	25.5	50	IEEE/E100
200 (656)	100	25.5	30	E100
300 (984)	100	18	18	E100
400 (1312)	100	15	15	E100
500 (1640)	10	12	12	E10
800 (2625)	10	6	6	E10
1000 (3281)	10	5	5	E10

Via RG-59 Coaxial Cable

ePoE supply voltage 53 V
Maximum DC resistance < 5 Ω/100 m

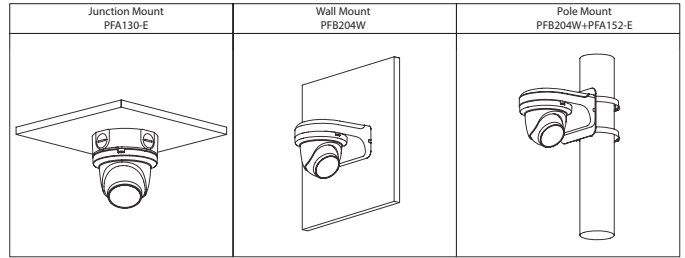
Cable Length, m (ft)	Bandwidth, Mbps	PoE Load Capacity, W	Hi-PoE Load Capacity, W	Working Mode
100 (328)	100	25.5	52	IEEE/E100
200 (656)	100	25.5	48	E100
300 (984)	100	25.5	30	E100
400 (1312)	100	20	23	E100
500 (1640)	10	16	16	E10
800 (2625)	10	10	10	E10
1000 (3281)	10	8	8	E10

1. The DORI distance is a measure of the general proximity for a specific classification to help pinpoint the right camera for your needs. The DORI distance is calculated based on sensor specifications and lab test results according to EN 62676-4, the standard that defines the criteria for the Detect, Observe, Recognize and Identify classifications.

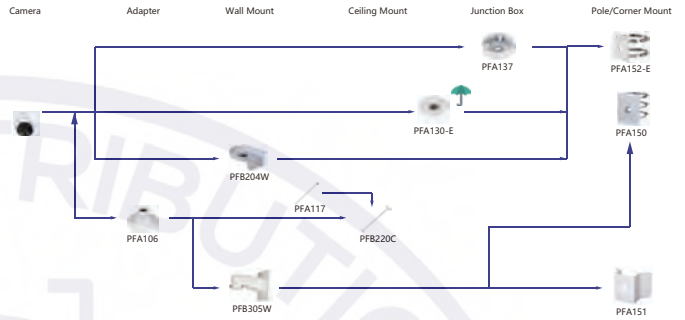
2. Pair a Smart Motion Detection camera with a Dahua recording device that also offers SMD functionality to take advantage of SMD alarm filtering and object classification when searching and playing back recorded video.

Ordering Information

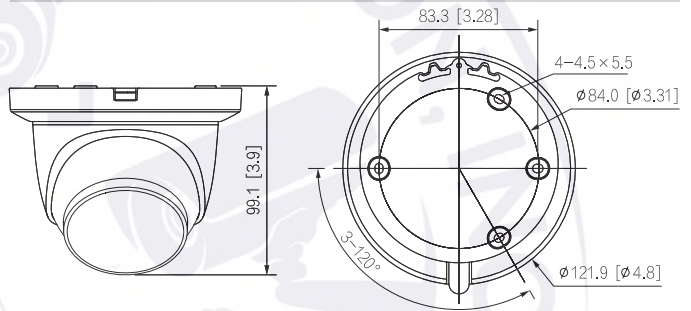
Type	Part Number	Description
Analytics+ Camera	N45EJN2	4 MP ePoE Night Color 2.0 Fixed Lens Eyeball Camera with Analytics+
Accessories, optional	PFA106	Mount Adapter
	PFA130-E	Junction Box
	PFA137	Junction Box
	PFA150	Pole Mount (Use with PFA106 and PFB305W)
	PFA151	Corner Mount (Use with PFA106 and PFB305W)
	PFA152-E	Pole Mount (Use with PFB204W Wall Mount)
	PFB204W	Wall Mount
	PFB220C	Ceiling Mount (Use with PFA106 Mount Adapter)
	PFB305W	Wall Mount (Use with PFA106 Mount Adapter)
	DH-PFM321D-US	12 VDC, 1 A Power Adapter
ePoE Accessories, optional	LR1002	EoC Passive Converter
	LR1002-1EC	Single-port EoC Receiver



Mounting Diagram



Dimensions

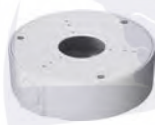


Accessories

Optional:



PFA106
Mount Adapter



PFA130-E
Waterproof
Junction Box



PFA137
Junction Box



PFA150
Pole Mount



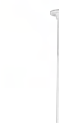
PFA151
Corner Mount



PFA152-E
Pole Mount



PFB203W
Wall Mount



PFB220C
Ceiling Mount



PFB305W
Wall Mount



DH-PFM321D-US
12 VDC, 1 A
Power Adapter



LR1002
EoC Passive
Converter



LR1002-1EC
Single-port EoC
Receiver

1998

WE SECURE YOUR LIFE

