



## Flex Gen4 Long Range Bullet Camera



### Deep learning AI

Flex Gen4 bullet camera supports edge intelligence with an expansive list of object classifications for accurate object detection in all lighting conditions.



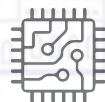
### High-end image stabilization

Image stabilization using a gyro sensor provides quality, stable images in challenging outdoor conditions, thus providing huge cost benefits vis-à-vis reduced bit-rates and storage.



### Onvif conformant

Open standard (Onvif Profile S, G, T, M) interface provides investment protection by integrating into the existing VMS platform.



### Advanced system-on-chip

Supports low-power design and high-performance application. Thus providing outstanding low-light images, HDR, and advanced security features for next-gen intelligent Flex Gen4 IP cameras.



### Dual Full HD video streaming

Mission-critical applications with the requirement of multiple full high-definition video streams are supported by Flex Gen4 bullet cameras.



### Cyber Secure

Flex Gen4 series cameras support secure boot, signed firmware, and encrypted streaming & storage. It complies with stringent JCI cyber norms, which are comprehensive and cover the product's entire life cycle.

# Specifications

Operational	5MP
<b>Camera</b>	
Image Sensor	Sony 1/2.8" Progressive Scan CMOS imager
Lens	5 mm – 50 mm, MFZ, P-Iris
	F2.0
	One touch auto focus, manual, and automatic focus with zoom
Field of View (FoV)	H: 50.85°(Wide) – 7.7°(Tele) V: 30.96°(Wide) – 4.84°(Tele)
Day/Night	True Day/Night CF removal
Minimum Illumination	Color: 0.1 lux B/W: 0.01 lux 0 lux with IR
Electronic Shutter Control	Automatic, Manual (1/4 to 1/32000 sec)
IR Illumination	850 nm, Smart / Adaptive IR, up to 70m (229.66 ft)
Memory	2048 MB RAM, 4096 MB Flash
<b>Video</b>	
Bandwidth Management	IntelliZip® Smart Codec
Video Compression	H.264/H.265/MJPEG H.264 IntelliZip® / H.265 IntelliZip®
Bitrate Control	CBR/VBR/CVBR (configurable)
Max Resolution (HxV) & Aspect Ratio	4:3: 2560 x 1920 (5MP) to 480x272
Dual Full HD Video Stream	Supported
Max Frame Rate (60 Hz/50 Hz)	2MP: 60/50 fps 5MP: 30/25 fps
Video Streams	Triple Streaming with a maximum of 5 concurrent shared streams
Dynamic Range	True multi shutter WDR up to 141 dB Off, TWDR, TWDR 3x, SmartWDR
SmartDefog	Supported
Image Stabilization	Electronic image stabilization (EIS) using gyro sensor
Image Orientation Settings	None, Mirror, Flip, Flip and Mirror, Corridor (rotate 90° right or left)
Picture Settings	Auto Exposure: Multiple Profiles (incl Auto, Gaming, LPR), Multiple ROI (incl AI ROI: Object, Person), Gain Control (Auto, Max, Manual), Flickerless, White Balance (Auto Normal, Auto Wide, Manual), text overlay
Privacy Zones	10 user definable rectangular zones
<b>Analytics</b>	
AI Object Classification	<b>Classes:</b> Person, Bicycle, Bus, Car, Motorbike, Train, Truck, Any Class <b>Sub-Classes (attributes):</b> Person Clothing Color (Upper, Lower), Vehicle Color <b>Rules:</b> Object Detected, Perimeter, Linger, Dwell, Abandoned/Removed, Enter, Exit, Crowd, Queue, Direction
AI Tamper Detection	Blackout, Whiteout, Scene Change (FoV tamper)
AI Blur Detection	Supported
AI Metadata	Supported
Motion Detection Zones	3 zones supported
<b>Network</b>	
Network	IEEE 802.3, 10/100Base-T Ethernet, RJ45, auto sensing
Cyber security	ISASecure ISA/IEC 62443-4-1 certified secure development Secure boot Signed and encrypted firmware
Authentication and Security	TLS, HTTPS (HTTP over TLS), WS-Security, Certificate Management, Multi-level password protection, IP address filtering, HTTPS encryption, Enhanced Security (One-Click Security Hardening), User Access Log, Validate Complex Credentials, Disabling Unused Protocols, IEEE 802.1x (PEAP, EAP-TLS, EAPoL)
Protocols	TCP/IP, IPv4, IPv6, TCP, UDP, HTTP, FTP, DHCP, WS-Discovery, DNS, DDNS, RTP, RTCP, RTSP, TLS, Unicast, Multicast, NTP, ICMP, IGMP, SMTP, WS-Security, IEEE 802.1x, PEAP, EAP-TLS, EAPoL, SSH, HTTPS, SOAP, WS-Addressing, CIFS, UPNP, LLDP, SIP, ARP, EAP-LEAP, QoS
Network management	SNMPv1/v2c/v3(MIB-2)
Simultaneous users	10 users
<b>System Integrations</b>	
Application Programming Interface	ONVIF Profile S, G, T, M conformant Illustra iAPI via Connected partner program
Event Triggers	Motion Detection, Tamper & Blur Detection, AI Object classification, Alarm Input, Network Loss, Periodic Event, Temperature
Event Actions	Record to SD card, Snapshot, SMTP e-mail file transfer, FTP file transfer, CIFS, Auxiliary output, Audio clip playback
Audio compression	G.711 µ-law
Audio Input/Output	Bi-directional, 1x Line input and 1x Line output

External I/O Terminals	1x Alarm In and 1x Alarm Out
<b>Peripherals</b>	
Onboard Storage	microSDXC slot, Class 10 or better, up to 2TB supported (Card not included) Pre event / Post event 1- 10 sec Encrypted storage and streaming TrickleStor offline recording and backfilling
Wireless configuration	Micro USB via optional USB Wi-Fi Dongle IA-KIT-WD-UUA
<b>Electrical</b>	
Power	PoE 802.3af (802.3at Type 1) Class 3   24VAC
	<b>PoE (2MP)</b> Typ. 0.12A / Max 0.24A Typ. 5.6W / Max 11.4W
	<b>24VAC (2MP)</b> Typ. 0.46A / Max 0.84A Typ. 5.8W / Max 11.7W
Dual Power Redundancy	Supported
<b>Physical</b>	
Operating conditions	-50°C (-58°F) to +60°C (140°F) Start-up temperature: -40°C (-40°F) Humidity up to 95% RH, Non-Condensing
Casing	IP66, IP67, NEMA 4x and IK10 Housing: Aluminum alloy Other housing material: Polycarbonate Color: Signal White Pantone RAL 9003
Dimensions	Ø91 (Camera) x 352.5 (L) mm with back box (without sunshield), Backbox is Ø120
Weight	Net 1.80 kg (3.97 lbs.), Gross 2.4Kg (5.30 lbs.)
<b>Regulatory</b>	
EMC	CE/UKCA: EN 55032 Class A, EN 61000-3-2, EN 61000-3-3, EN 50130-4, EN 61000-4-2, EN 61000-4-3, EN 61000-4-4, EN 61000-4-5, EN 61000-4-6, EN 61000-4-11, BS EN 55032, BS EN 50130-4, BS EN 61000-3-2, BS EN 61000-3-3 ICES-003 Class A CFR 47 FCC Part 15 Subpart B Class A RCM AS/NZS CISPR 32 Class A KS C 9832 Class A, KS C 9835
Safety	UL 62368-1, CAN/CSA C22.2 No. 62368-1 KC 62368-1 BIS IS13252 Part 1 IEC 62471
Environmental	IEC 60529 IP66, IEC 60529 IP67 IEC 62262 IK10 BS EN IEC 63000 ROHS, REACH NEMA 250 Type 4x
<b>General</b>	
Web Browsers	Microsoft Edge, Firefox, Safari, Chrome
Language	Arabic, Chinese (Simplified), Chinese (Traditional), Czech, Danish, English (default), French, German, Hungarian, Italian, Japanese, Korean, Netherlands, Polish, Portuguese, Russian, Spanish, Swedish, Turkish
NDAA Compliant	Yes
Warranty	5 Years

EST.

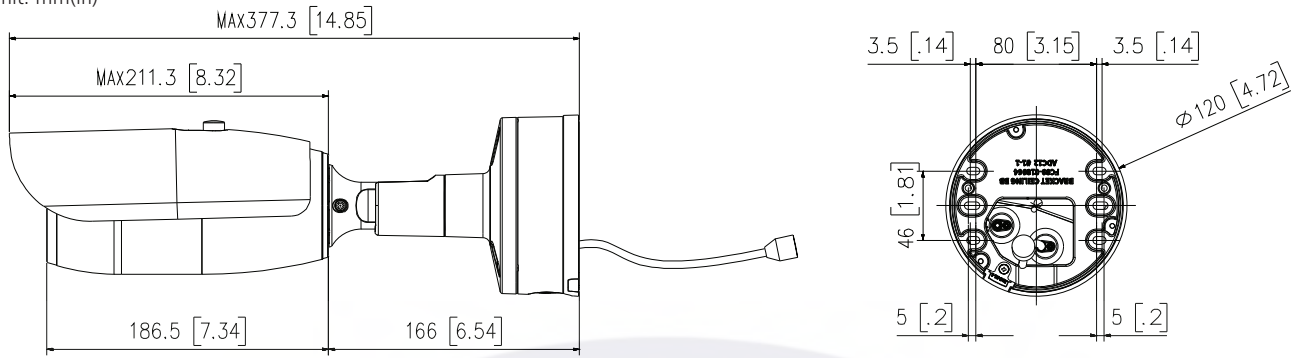
1998

WE SECURE YOUR LIFE



# Camera Dimensions

Unit: mm(in)



## Ordering Information

Model Number	Sales Description
IFS05-B31-OIB4	Illustra Flex Gen4 5MP Tele Bullet, 5-50mm, AI, TDN, 70m IR, TWDR, EIS, IP66/67, IK10

## Optional Accessories

Model Number	Description
IA-CBL-IO-F30	I/O cable
IA-KIT-WD-UUA	Wi-Fi Dongle Kit
ADCDMCRNRO	Corner Mount Adapter, White
ADCDMPOLE	Pole Mount Adapter, White

## Accessory Chart

