



Key Spec:

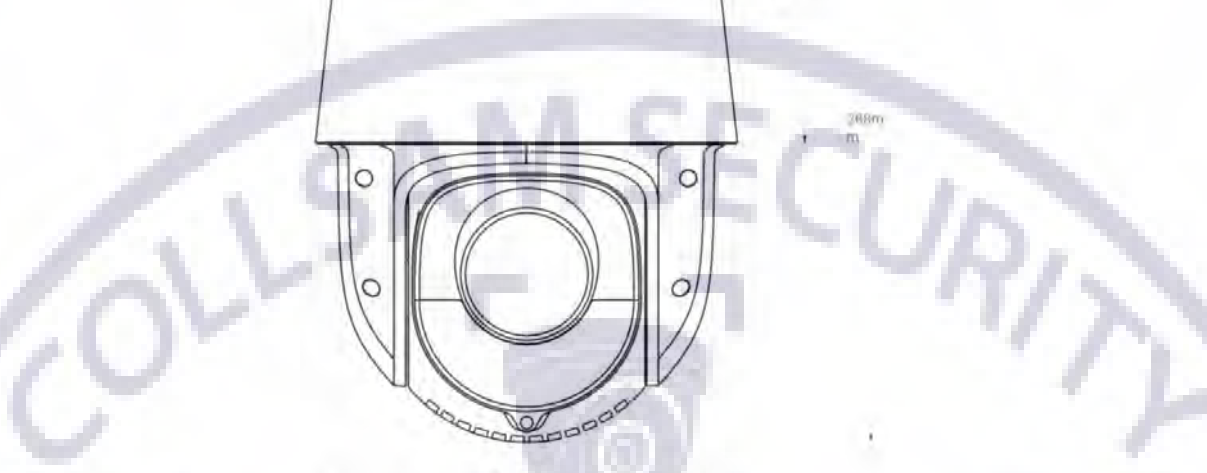
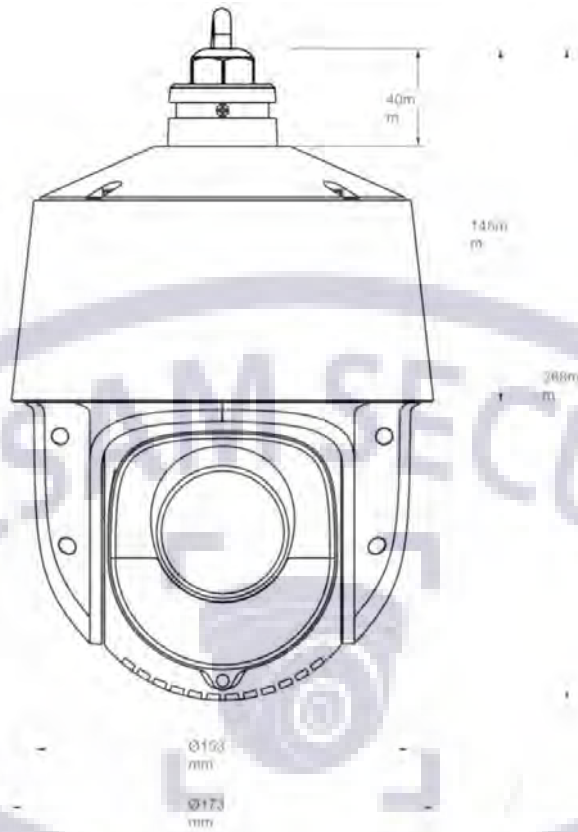
- 4Megapixel network IR outdoor IP PTZ camera
- 1/2.8" BSI progressive scan CMOS
- Up to 2560×1440 resolution
- Minimum illumination of 0.01 lux in color and with IR
- 25X optical zoom for detailed and close-up footage
- Accurate and fast focusing capabilities
- IR 492ft (149.96 m) for clear footage in low-light conditions
- Wide Dynamic Range (WDR) for balanced lighting in high-contrast scenes
- Starlight function for improved low-light performance
- Surveillance Storage Micro SD Card for local storage
- Auto-Tracking for continuous monitoring of moving objects
- Smart IR 150m for accurate and targeted infrared illumination
- Smart H.265+/H.265/H.264+/H.264 compression for efficient storage
- Intelligent Video Content Analytics for advanced video analysis
- Smart tracking of human/vehicle movements
- Smart detection for real-time alerts of suspicious activity
- Perimeter protection to secure the camera's surroundings
- Compatibility with ONVIF, API, and SDK for integration with other systems
- Support for PoE+ and DC12V power options
- Remote viewing from your mobile device for convenient monitoring
- IP66-rated for outdoor use and protection against harsh weather
- NDAA Compliant

SPECIFICATION:

Camera Module				
Image sensor	1/2.8" progressive scan CMOS			
Mini. Illumination	Color: 0.01Lux @(F1.65, AGC ON); B/W: 0.002Lux @(F1.65, AGC ON);0Lux with IR			
Image setting	Flip, Mirror, Saturation, Brightness, Contrast, Sharpness, AGC, etc. adjusted by client			
Shutter Speed	1/1 s – 1/100,000 s			
White Balance	Auto/Manual/Indoor/Outdoor			
Gain control	Auto/Manual			
Day & Night control	Auto/Manual ,time schedule			
Iris control	Auto/Manual			
SNR	≥55dB			
3D DNR	Auto/Manual			
AE Enhancement	BLC, HLC, WDR			
Privacy Mask	24 areas, up to 8 mask in the same frame			
Picture overlay	Logo picture could be overlaid on video with 128x128pixels,24bits BMP format			
OSD overlay	Max 15 characters/line, 8 lines, white or red font color			
Lens				
Focus length	f=4.8-120mm lens,25x optical zoom			
Zoom Speed	Approx. 3.6s (optical zoom, wide-tele)			
Field of View	Horizontal: 55° ~2.4°; Vertical: 33° ~ 1.4° ; Diagonal: 61.5° ~ 2.8° (wide-tele)			
Working distance	Wide: 1.0m ~ INF; tele: 1.5m ~ INF			
Aperture Range	F1.65 ~ F3.8 (wide-tele)			
Iris type	Auto DC-IRIS, 16 Stops			
IRCut type	Removable IRCut filter			
DORI distance	Detect	Observe	Recognize	Identify
	7874 ft (2,400 m)	3124 ft (952.2 m)	1772 ft (540.11 m)	787 ft (239.88 m)
PTZ				
Pan Range	360°endless			
Pan speed	Configurable, from 0.1~200°/s; Preset speed: 240°/s			
Tilt Range	From -5° to 90°,auto flip			
Tilt Speed	Configurable, from 0.1°~ 200°/s, Preset speed: 240°/s			
Proportional Zoom	Yes			
Preset	360			
Cruise	8 cruises, up to 16 presets for each cruises			
Trace	4 traces, record time over 3 minutes for each trace			
Power off memory	Support			
Action mode	Preset/Cruise/Trace/Auto Scan/Random Scan			
3D Positioning	Support			
PTZ Position Display	Support			
Schedule Task	Preset/Cruise/Trace/Random Scan/Boundary Scanning /Dome reboot			
IR				
IR Distance	150m (492 f.t.)			
Smart IR	Yes			
Network				
Max Resolution	2560x1440			
Main stream	50Hz: 25fps: 2560×1440,1920×1080,1280×960,1280×720, 60Hz: 30fps: 2560×1440,1920×1080,1280×960,1280×720			
Sub stream	50Hz: 25fps: (704 × 576, 640 × 480, 352 × 288); 60Hz: 30fps (704 × 480, 640 × 480, 352 × 240)			
Third Stream	50Hz:25fps (1920 × 1080, 1280 × 960, 1280 × 720, 704 × 576, 640 × 480, 352 × 288) 60Hz:30fps (1920 × 1080, 1280 × 960, 1280 × 720, 704 × 480, 640 × 480, 352 × 240)			
Video compression	H.265/H.264+/H.264/MJPEG			
H.264 Standard	H.264/AVC codec BP/MP/HP, Level 5.1			

Audio Bit Rate	64K bps
Protocols	HTTP, HTTPS, IPv4/IPv6, 802.1x, QoS, FTP, SMTP, UPnP, SNMP,DNS, DDNS, NTP, RTSP, RTCP, RTP, TCP/IP, UDP, DHCP, PPPoE
Simultaneous live view	Up to 6 channels
User / Host	Up to 16 users, 3 levels: Administrator, Advanced User and Normal User
Security Measures	User authentication (ID and PW), Host authentication (MAC address); HTTPS encryption, IEEE802.1x port-based network access control; IP address filtering
Smart Features	
Basic event	Motion detection, Video tampering alarm, Exception(Network disconnected, IP address conflict, SD full, SD error)
Face recognize	Detecting max 15 faces at same scene. Detecting, tracking, capturing
Road traffic	Vehicle detecting and tracking
Smart Detection	Tripwire, Bi-directional tripwire, Illegal intrusion detection, Region entrance detection, Region exitance detection, Unattended baggage detection, Object removal detection, etc.
Smart Tracking	smart tracking of human or vehicle, auto/manual
System Integration	
Alarm Interface	1 Alarm input(Dry contact); 1 Alarm output
Audio Interface	1 audio input(MIC in); 1 audio output, line level, impedance,600Ω
Alarm Linkage	Alarm actions, such as Preset, Cruise, Track, Memory Card Video Record, Trigger Recording, Upload to FTP/Memory Card, Send Email, etc.
Network Interface	1 RJ45 10M/100M Adaptive Ethernet ,Support PoE+(802.3.at,class 6)
SD Card Slot	One MicroSD slot, up to 256G
RS 485	N/A
BNC	N/A
Speaker	N/A
Reset button	Yes
Heater	Yes
Fan	Yes
Water removal	Remove water-drops by quick spinning
API	ONVIF, support SDK and third-party management platform
Client	N9000 1.4.5, NVMS 2.0; and the third-party client
Web Browser	IE8-11
General	
Culture	16 languages: Czech; English, German ; Hungarian ; Italian ; Japanese ; Korean ; Portuguese, Polish; Russian, Romanian, Spanish; Spanish(Mexico);Simplified Chinese; Turkish; Traditional Chinese.
Power Supply	DC12V±25%,3000mA ,PoE+ (802.3.at, class 3), max 23W include IR ON+PTZ working
Working condition	-40 °F (-40 °C) ~ 140 °F (60 °C), Cold start at - 86 °F (30 °C) (30 minutes waiting); 90%RH
Storage condition	-40 °F (-40 °C) ~ 158 °F (70 °C) ; ≤ 95% RH
Protection	IP66, 4000V Lightning Protection, Surge Protection and Voltage Transient Protection
Material	Aluminum Alloy + Plastic/GF15%
Dimensions	Φ 173mm × 247mm (Φ6.8 inch × 9.7 inch)
Weight	Approx. 2.1 Kg (4.63 lb.)
Certification	IP66,IK10(excluding glass window),ROHS,CE,FC

Dimensions



EST.

1998

