



VCA



ONVIF



8MP



Smart tracking



Perimeter



150m



IP66



H.265



PoE+



## Key Specifications

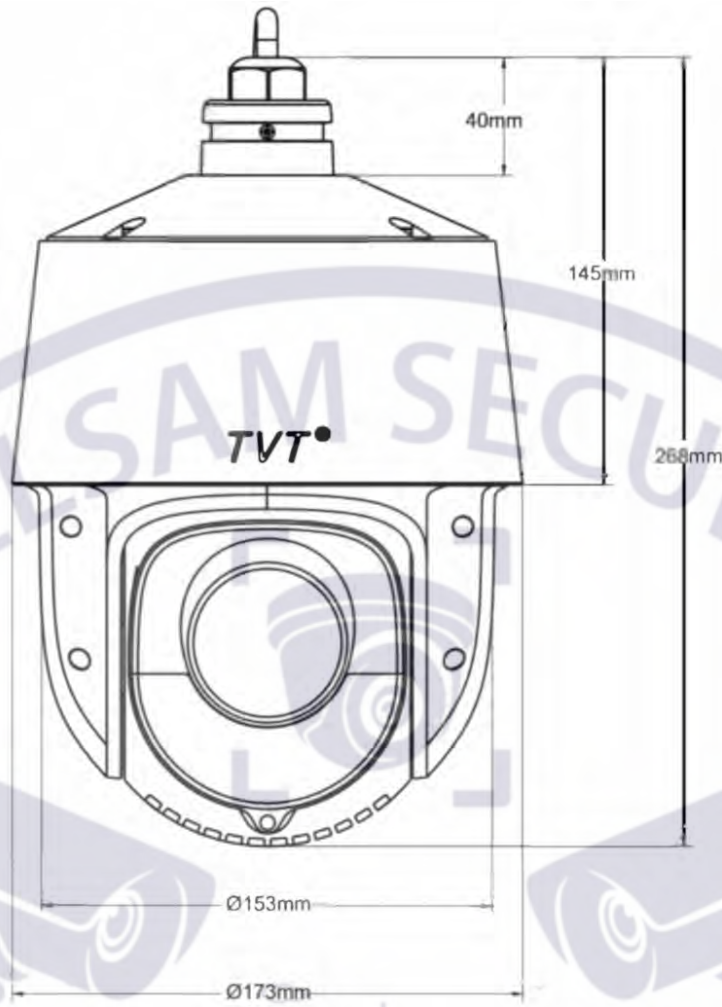
- 25x optical zoom allows for close-up monitoring of specific areas.
- 16x digital zoom provides added flexibility in capturing details.
- 1/2.8" SONY progressive scan CMOS image sensor captures clear and detailed images.
- Up to 3840×2160 resolution for high-quality video.
- Color minimum illumination of 0.01 LUX with F1.65 and AGC ON, ensuring clear images even in low light conditions.
- Black and White minimum illumination of 0 LUX with IR, allowing for clear images in complete darkness.
- High Dynamic Range (HDR) technology improves image quality in high contrast environments.
- 3D Digital Noise Reduction (DNR) reduces noise and produces clearer images
- Smart IR feature automatically adjusts IR levels to ensure clear images in low light conditions.
- Smart H.265/H.264+/H.264 compression reduces bandwidth and storage usage while maintaining high-quality video.
- Analyzes video to detect and identify people and vehicles.
- Smart tracking feature follows individuals and vehicles as they move within the camera's field of view.
- Smart detection and perimeter protection alerts users of any suspicious activity.
- ONVIF compatibility allows for easy integration with other ONVIF-compliant systems.
- API and SDK provide additional customization and integration options.
- Supports PoE+ for easy installation and power management.
- Can also be powered with DC12V.
- IP66 Ingress Protection weatherproof rating ensures the camera can withstand outdoor elements.
- Made with durable materials (ADC12 aluminum and PC/GF polycarbonate/glass fiber) for long-lasting use.

## SPECIFICATION:

Camera Module					
Image sensor	1/2.8"SONY latest progressive scan CMOS				
Max resolution	3840x2160				
Mini. Illumination	Color: 0.01Lux @(F1.65, AGC ON); B/W: 0.002Lux @(F1.65, AGC ON);0Lux with IR				
Image setting	Flip, Mirror, Saturation, Brightness, Contrast, Sharpness, AGC, etc. adjusted by client				
Shutter Speed	50Hz: 1/25 s~1/25,000s, 60Hz: 1/30s~1/30,000s				
White Balance	Auto/Manual/Indoor/Outdoor				
Gain control	Auto/Manual				
Day & Night control	Auto/Manual ,time schedule				
Iris control	Auto/Manual				
SNR	≥52dB				
3D DNR	Auto/Manual				
AE Enhancement	BLC, HLC, WDR				
Privacy Mask	4 areas, up to 8 mask per request				
Picture overlay	Logo picture could be overlaid on video with 128x128pixels,24bits BMP format				
OSD overlay	max 15 characters/line, 8 lines, white or red font color				
Lens					
Focus length	f=4.8-120mm lens,25x optical zoom				
Zoom Speed	Approx. 3.6s (optical zoom, wide-tele)				
Field of View	Horizontal: 57.6° ~2.4° ; Vertical: 33.4° ~ 1.4°; Diagonal: 64.5° ~ 2.9° (wide-tele) ±5%				
Working distance	Wide: 1.0m ~ INF; tele: 1.5m ~ INF				
Iris Range	F1.65 ~ F3.8 (wide-tele)				
IRCut type	Removable IRCUT filter				
DORI distance	Focus length	detect(25px/m)	Observe(63px/m)	Recognize(125px/m)	Identify(250px/m)
	f=4.8mm	138.2m	54.84m	27.64m	13.82m
	f=120mm	3034m	1297m	606.9m	303.4m
PTZ					
Pan Range	360°endless				
Pan speed	Configurable, from 0.1~200°/s; Preset speed: 240°/s				
Tilt Range	From -10° to 90°,auto flip				
Tilt Speed	Configurable, from 0.1°~ 200°/s, Preset speed: 240°/s				
Proportional Zoom	Yes				
Preset	360				
Cruise	8 cruises, up to 16 presets for each cruises				
Trace	4 traces, record time over 3 minutes for each trace				
Power off memory	Support				
Action mode	Preset/Cruise/Trace/Auto Scan/Random Scan				
3D Positioning	Support				
PTZ Position Display	Support				
Schedule Task	Preset/Cruise/Trace/Random Scan/Boundary Scanning /Dome reboot				
IR					
IR Distance	150m (492 ft.) ,dual stack IR LED array, 6pcs into 3groups				
Smart IR	Yes				
Network					
Main stream	50Hz: 3840 × 2160,2560 × 1440,1920 × 1080,1280 × 960,1280 × 720 @25fps 60Hz: 3840 × 2160,2560 × 1440,1920 × 1080,1280 × 960,1280 × 720 @30fps				
Sub stream	50Hz: (704 × 576, 640 × 480, 352 × 288) @25fps; 60Hz: (704 × 480, 640 × 480, 352 × 240) @30fps				
Third Stream	50Hz:(1920 × 1080, 1280 × 960, 1280 × 720, 704 × 576, 640 × 480, 352 × 288) @25fps 60Hz:(1920 × 1080, 1280 × 960, 1280 × 720, 704 × 480, 640 × 480, 352 × 240) @30fps				
Video compression	H.265+/H.265/H.264+/H.264/MJPEG				
H.264 Standard	H.264/AVC codec BP/MP/HP, Level 5.1				
H.265 Standard	H.265/HEVC codec MP, level 5.0				

Video Bit Rate	64 Kbps to 16Mbps	
Audio compression	G.711 A/U	
Audio Bit Rate	64K bps	
Protocols	HTTP, HTTPS, IPv4/IPv6, 802.1x, QoS, FTP, SMTP, UPnP, SNMP,DNS, DDNS, NTP, RTSP, RTCP, RTP, TCP/IP, UDP, DHCP, PPPoE	
User / Host	Up to 16 users, 3 levels: Administrator, Advanced User and Normal User	
Security Measures	User authentication (ID and PW), Host authentication (MAC address); HTTPS encryption, IEEE802.1x port-based network access control; IP address filtering	
<b>Smart Features</b>		
Basic event	Motion detection, Video tampering alarm, Exception(Network disconnected, IP address conflict, SD full, SD error)	
Face recognize	Detecting max 15-17 faces at same scene. Detecting. Default off: recognition, and comparing	
Road traffic	Vehicle detecting and tracking	
Smart Detection	Tripwire, Bi-directional tripwire, Illegal intrusion detection, Region entrance detection, Region exiting detection, etc. More VCA per request.	
Smart Tracking	Smart tracking of human or vehicle, auto/manual	
<b>System Integration</b>		
Alarm Interface	1 Alarm input(Dry contact); 1 Alarm output	
Audio Interface	1 audio input(MIC in); 1 audio output, line level, impedance,600Ω	
Alarm Linkage	Alarm actions, such as Preset, Cruise, Track, Memory Card Video Record, Trigger Recording, Notify Surveillance Center, Upload to FTP/Memory Card, Send Email, etc.	
Network Interface	1 RJ45 10M/100M Adaptive Ethernet ,Support PoE+	
SD Card Slot	One Micro SD slot, up to 256G	
RS 485	N/A	
BNC	N/A	
Speaker	N/A	
Reset button	Yes	
Heater	Yes	
Fan	Yes	
Water removal	Remove water-drops by quick spinning	
API	ONVIF, support Titanium SDK and third-party management platform	
Client	Titanium N9000 1.4.5, Titanium NVMS 2.0; and the third-party client, free iOS/Android APP	
Web Browser	IE8-11,Safari,Chrome	
<b>General</b>	<b>TD-8483IS2N(PE/25M/AR15)</b>	<b>TD-8483IS3N(PE/25M/AR15)</b>
Languages	Czech; English, German ; Hungarian ; Italian ; Japanese ; Korean ; Portuguese, Polish; Russian, Romanian, Spanish; Spanish(Mexico); Simplified Chinese; Turkish; Traditional Chinese.	
Power Supply	DC12V±25%,3000mA , PoE+ (802.3.at,class 3), max 24W include IR ON+PTZ working	
Working condition	-40°C ~ 60°C (-40°F ~ 140°F), Cold start at - 30°C(0.5Hour waiting); 90%RH	
Storage condition	-40°C ~ 70°C ; ≤ 95% RH	
Protection	IP66, 6000V Lightning Protection, Surge Protection and Voltage Transient Protection	
Material	Aluminum Alloy + Polymer ( Plastic with glass fiber 15%)	
Dimensions	Φ 173mm × 268mm ( 6.8 inch Φ × 10.55 inch)	
Weight	Approx. 2.1 Kg (4.63 lb.)	
Certification	IP66,IK10(excluding glass window),ROHS,CE,FC	IP66,IK10 (including glass window),ROHS,CE,FC
Supply period	Feb 4th, 2021 to Dec 31th,2023	June 4th, 2023 to Jan 31th,2028

## Dimensions:



COLLSAM SECURITY

EST.

1998



WE SECURE YOUR LIFE

