

QNP-6230H/6230

2MP 23x Network PTZ Dome Camera



QNP-6230H



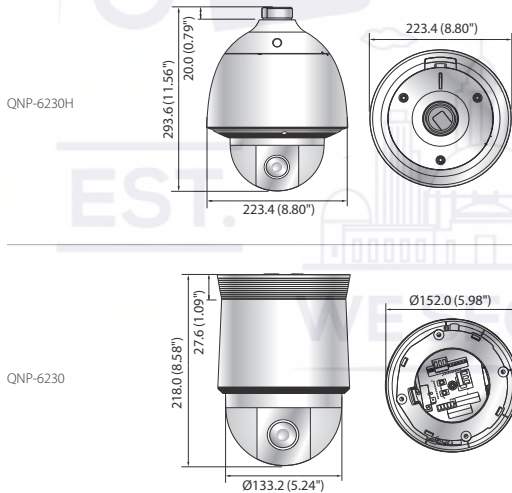
QNP-6230

Key Features

- 2 MP (1920 x 1080) resolution
- H.265, H.264, MJPEG codec support
- Multiple streaming, WiseStreamII support
- Day & Night (ICR), WDR (120dB)
- DIS with Built-in Gyro sensor
- Tameprimg, Motion detection
- Memory slot (Maximum 256GB)
- IP66, IK10 (QNP-6230H), IK10 (QNP-6230 + SHP-3701H)

Dimensions

Unit: mm (inch)



Accessories (Optional)



	QNP-6230H	QNP-6230
VIDEO		
Imaging Device	1/2.8" 2.4 MP CMOS	
Total / Effective Pixels	1,981(H) x 1,288(V), 2.55 MP / 1,944(H) x 1,212(V), 2.35 MP	
Scanning System	Progressive	
Minimum Illumination	Color : 0.2Lux (F1.6), B/W : 0.01Lux (F1.6)	
S / N Ratio	50dB	
Video Output	CVBS : 1.0 Vpp / 75Ω composite, 720 x 480, for installation	
LENS		
Focal Length (Zoom Ratio)	4.44 ~ 102.2mm (Optical 23x)	
Maximum Aperture Ratio	F1.6(Wide) / F3.6(Tele)	
Angular Field of View	H : 61.8°(Wide) ~ 3.08°(Tele) / V : 36.2°(Wide) ~ 1.73°(Tele)	
Minimum Object Distance	Wide : 1.5m (4.92ft), Tele : 2m (6.56ft)	
Focus Control	Auto / Manual / One shot AF	
Lens / Mount Type	DC Auto Iris / Board-in type	
PAN / TILT / ROTATE		
Pan / Tilt Range	360° Endless / 210° (-15° ~ 195°)	
Pan / Tilt Speed	Preset : 500°/sec, Manual : 0.024°/sec ~ 200°/sec	
Sequence	Preset (300ea), Swing, Group (6ea), Trace, Tour (1ea), Auto run, Schedule	
Preset Accuracy / Azimuth	±0.2° / Yes (E / W / S / N / NE / NW / SE / SW)	
OPERATIONAL		
Camera Title	Off / On (Displayed up to 85 characters) - English / Numeric / Special / International characters - Common : Multi-line (Max. 5), Color (Gray / Green / Red / Blue / Black / White), Transparency, Auto scale by resolution	
Day & Night	Auto (ICR) / Color / B/W / Schedule	
Backlight Compensation	Off / BLC / HLC / WDR	
Wide Dynamic Range	120dB	
Contrast Enhancement	SSDR (Off / On)	
Digital Noise Reduction	SSNRV (2D + 3D Noise filter) (Off / On)	
Digital Image Stabilization	Off / On (Built-in Gyro sensor)	
Defog	Off / Auto / Manual	
Motion Detection	Off / On (8ea, Polygonal)	
Privacy Masking	Off / On (24 rectangular zones) - Color : Gray / Green / Red / Blue / Black / White - Zoom ratio option for mask mode - Mosaic option	
Gain Control	Off / Low / Middle / High	
White Balance	ATW / AWC / Manual / Indoor / Outdoor (included mercury & Sodium)	
Electronic Shutter Speed	Minimum / Maximum / Anti flicker (1 ~ 1/12,000sec)	
Digital Zoom	32x	
Flip / Mirror	Off / On	
Intelligent video analytics	Tampering, Motion detection	
Alarm I/O	Input 4ea / Output 2ea (Relay)	
Remote Control Interface	RS-485 - Samsung-T, Pelco-D/P, Panasonic, Bosch, AD, GE, Vicon, Honeywell	
Alarm Triggers	Alarm input, Motion detection, Video Analytics, Network disconnect	
Alarm Events	File upload Via FTP and E-mail, Notification Via E-mail, TCP and HTTP	
Pixel counter	Local storage (SD/SDHC/SDXC) or NAS recording at alarm triggers, External output, Preset Support	
NETWORK		
Ethernet	RJ-45 (10/100 BASE-T)	
Video Compression Format	H.265 / H.264 (MPEG-4 part 10/AVC), MJPEG	
Resolution	1920 x 1080, 1280 x 1024, 1280 x 960, 1280 x 720, 1024 x 768, 800 x 600, 800 x 448, 720 x 576, 720 x 480, 640 x 480, 640 x 360, 320 x 240	
Maximum Framerate	H.265 / H.264 : Maximum 30fps at all resolutions, MJPEG : Maximum 30fps	
Smart Codec	Manual mode (Area-based : 5ea)	
WiseStreamII	Support	
Video Quality Adjustment	H.265 / H.264 / MJPEG : Target Bitrate Level Control	
Bitrate Control Method	H.265 / H.264 : CBR or VBR, MJPEG : VBR	
Streaming Capability	Multiple streaming (Up to 10 profiles)	
Audio In	Selectable (Mic in / Line in), Supply voltage : 2.5V DC (4mA), Input impedance : approx. 2K Ohm	
Audio Out	Line out (3.5mm mono jack), Max output level : 1 Vrms	
Audio Compression Format	G.711 u-law / G.726 Selectable, G.726 (ADPCM) 8KHz, G.711 8KHz, G.726 16Kbps, 24Kbps, 32Kbps, 40Kbps, AAC-LC : 48Kbps at 16KHz	
Audio Communication	Bi-directional (2-way)	
IP	IPv4, IPv6	
Protocol	TCP/IP, UDP/IP, RTP (UDP), RTP(TCP), RTCP, RTSP, NTP, HTTP, HTTPS, SSL/TLS, DHCP, PPPoE, FTP, SMTP, ICMP, IGMP, SNMPv1/v2c/v3(MIB-2), ARP, DNS, DDNS, QoS, UPnP, Bonjour	
Security	HTTPS(SSL) login authentication, Digest login authentication, IP address filtering, User access log, 802.1x authentication (EAP-TLS, EAP-LEAP)	
Streaming Method	Unicast / Multicast	
Maximum User Access	10 users at Unicast mode	
Edge Storage	Micro SD/SDHC/SDXC 1 slot (up to 256GB) - Motion images recorded in the SD/SDHC/SDXC memory card can be downloaded. - NAS (Network Attached Storage), Local PC for instant recording	
Application Programming Interface	ONVIF Profile S/G, SUNAPI 2.0 (HTTP API), Wisenet open platform	
Webpage Language	English, Korean, Chinese, French, Italian, Spanish, German, Japanese, Russian, Swedish, Portuguese, Czech, Polish, Turkish, Dutch, Hungarian, Greek	
Web Viewer	Supported OS : Windows 7, 8.1, 10, Mac OS X 10.10, 10.11, 10.12 Plug-in Free Webviewer - Supported Browser : Google Chrome, MS Edge, Mozilla Firefox (Window 64bit only), MS Internet Explorer, Apple Safari 10 (Mac OS X only)	

Central Management Software	Wisenet WAVE, SmartViewer, SSM	
ENVIRONMENTAL		
Operating Temperature / Humidity	24V AC : -50°C ~ +55°C (-58°F ~ +131°F) / Less than 90% RH PoE+ : -35°C ~ +55°C (-31°F ~ +131°F) / Less than 90% RH	-10°C ~ +55°C (+14°F ~ +131°F) / Less than 90% RH
Storage Temperature / Humidity	-30°C ~ +60°C (-22°F ~ +140°F) / Less than 90% RH	
Ingress Protection / Vandal Resistance	IP66 / IK10 - / IK10 (with SHP-3701H)	
ELECTRICAL		
Input Voltage / Current	24V AC ±10%, PoE+ (IEEE802.3at, Class4)	
Power Consumption	Max. 24W (Heater off), Max. 65W (Heater on 24V AC) / Max. 20W	
MECHANICAL		
Color / Material	Ivory / Plastic + Metal	
Dimensions (WxH)	Ø223.4 x 293.6mm (Ø8.8" x 11.56")	Ø152.0 x 218.0mm (Ø5.98" x 8.58")
Weight	3.3Kg (7.28 lb)	1.7kg (3.75 lb)

* The latest product information / specification can be found at hanwhasecurity.com
* Design and specifications are subject to change without notice.
* Wisenet is the proprietary brand of Hanwha Techwin, formerly known as Samsung Techwin.

