

PV-RC200HD2



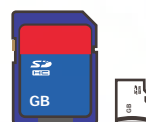
5MP HD Sensor H.264 1080p Keyfob DVR



Features

- 100% brand new Full HD H.264 1080p keyfob DVR
- Smallest 5MP pin-hole camera made especially for recording use
- Latest version 3 in 1 function: video record, camera, webcam
- 1080p high definition video 1920x1080 H.264 30fps .mov format
- 5MP photo JPEG format: 2592 x1944.jpg
- Real time record any video and audio evidence
- Vibration alert on video recording and photo shooting
- Easy connection with PC/laptops, no driver needed
- Can be used as USB storage device
- Built-in rechargeable high polymers battery

Standard Accessories



Memory Card

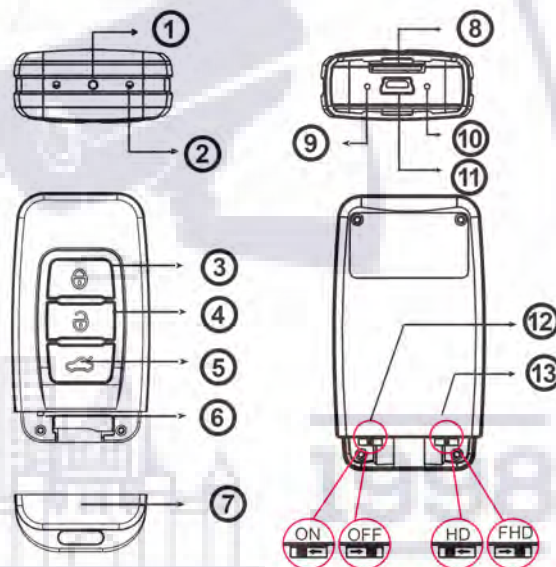
S-USB/PV-500



USB Cable

Specification

Item Number	PV-RC200HD2
Camera	1/3" progressive CMOS sensor
Angle of View	66 Degree
Video Resolution	1920x1080@30FPS ; 1280x720@30FPS
Photo Resolution	5MP
Memory Type	Micro SD Card
Lens	4mm
Min. Illumination	3.3 Lux @ F 2.0
Video File Format	MOV
Picture File Format	JPEG
PC Interface	Mini USB2.0
Time Stamp	YYYY.MM.DD. HH:MM:SS
Vibration Alert	On/Off/Record/Photo/Low Battery
Charging Time	3 hours
Battery Type	DC 3.7V / 650 mA high polymers battery
Working Hour	Approx. 75min
Memory Type	Micro SD Card (Support up to 16GB)
Dimension	71x35x16mm
Weight	32g



1. 5MP Camera
2. Microphone
3. Power on/Record
4. Power off
5. Photo
6. Reset
7. Covert Cap
8. Memory Card Slot
9. Power/Rec/Photo LED
10. Charge LED
11. USB Port
12. Vibration Switch
13. Resolution Switch

*Specifications are subject to change without prior notice.